

Individual mounting

inline

Series

35

100

200

55

56

57

58

59

45

700

900

82

6300

6500

6600

1300

800

ISO 1

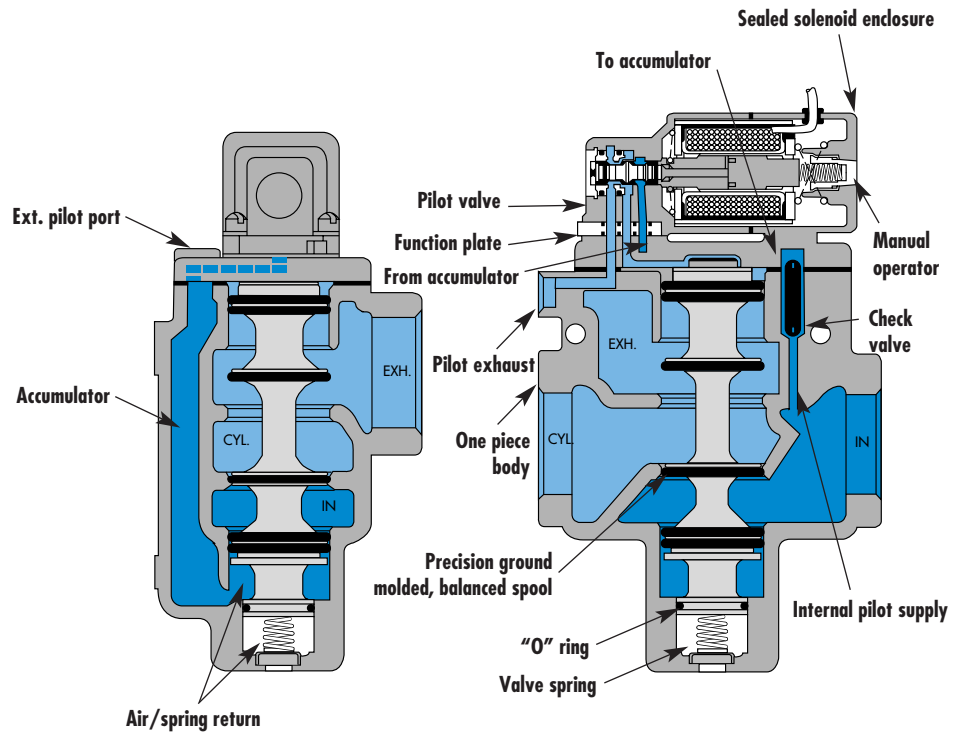
ISO 2

ISO 3

MAC 125A

MAC 250A

MAC 500A



SERIES FEATURES

- The patented MACSOLENOID® with its non-burn out feature on AC service.
- Seven valve functions in one valve.
- Balanced spool unaffected by back pressure in the exhaust.
- A large checked accumulator which supplies the pilot and air/spring return for consistent shifting.
- A triple rated coil for 120/60, 110/50 or 24 VDC (6 Watt).
- Use on lube or non-lube service.
- Various types of manual operators and solenoid enclosures.
- Optional low wattage DC coils down to 1 watt.
- Optional explosion proof models designed to meet UL & CSA standards for Class I, Groups B, C, D and Class II, Groups E, F and G. (NEMA equivalent of Class I is NEMA 7; Class II is NEMA 9).



VALVE CONFIGURATIONS AVAILABLE

- 3-Way Normally Open or Normally Closed (solenoid or remote air).
- 2-Way (by plugging Exhaust port), Normally Open & Normally Closed (solenoid or remote air).
- Internal pilot or External pilot for vacuum to 25 PSI main valve pressures on solenoid models.

SERIES FEATURES-REMOTE AIR PILOT OPERATED VALVES

The remote air versions feature:

- A large checked accumulator for air/spring return.
- Balanced spool unaffected by back pressure in the exhaust and may be plugged for 2-way operation.
- Use on lube or non-lube service.

APPLICATION CONVERSION PROCEDURE

The balanced spool design and the unique N.C. and N.O. pilot valve function plate on solenoid models facilitate using the same valve for 7 different functions.

The 7 functions are as follows:

- 3-way Normally Closed-All 3 main valve ports utilized and function plate placed with "3-C" (3-way N.C.) visible.
- 3-way Normally Open-All 3 main valve ports utilized and function plate placed with "3-O" (3-way N.O.) visible.
- 2-way Normally Closed-Same as 3-way N.C. but also plug the Exhaust port.

- 2-way Normally Open-Same as 3-way N.O. but also plug the Exhaust port.
- Selector-Pipe higher pressure to the Inlet port and lower pressure to the Exhaust port.
- Internal Pilot-Utilized for main valve pressures of 25-150 PSI. Includes a check rod in the body and a 1/4" pipe plug installed in the External Pilot port.
- External Pilot-An External Pilot supply is required when main valve pressures are lower than 25 PSI. If converting from an Internal Pilot model, remove the 1/4" pipe plug and check rod from the External Pilot port and install a 1/8" pipe plug in the check rod hole and pipe an external supply greater than 25 PSI to the External Pilot port. For vacuum service, make the vacuum connection to the Exhaust port and leave the Inlet port open to atmosphere.

N.C.-N.O. OPERATIONS:

SOLENOID MODELS:

With the pilot valve available either N.C. or N.O., simply by inverting the function plate, maximum flexibility is available in solenoid pilot operated models by using the N.C. main spool and installing the function plate for either N.C. or N.O. operation. Where an N.C. pilot function is desired with a N.O. main valve operation, a N.O. main spool option is available.

REMOTE AIR MODELS:

On remote air pilot operated models, N.C. and N.O. main spools are both available so that a N.C. pilot signal can always be used.

Function	Port size	Flow (Max)	Individual mounting	Series
3/2 NO-NC, 2/2 NO-NC	1" - 1 1/4" - 1 1/2"	26.0 C_v	inline	



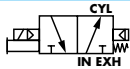
OPERATIONAL BENEFITS

- Balanced spool, immune to variations of pressure.
- Short stroke with high flow.
- Large spool area provides maximum shifting forces.
- Checked accumulator guarantees maximum pilot pressure.
- Powerful return force thanks to the combination of mechanical and air springs.
- Bonded spool with minimum friction, shifting in a glass-like finished bore.
- Wiping effect eliminates sticking.
- Pilot valve with balanced poppet, high flow, short and consistent response times.



- 35
- 100
- 200
- 55
- 56
- 57
- 58**
- 59

HOW TO ORDER

Port size	Pilot air	NC only valve	NO only valve	
		NC pilot - NC spool	NO pilot - NC spool	NC pilot - NO spool
				
1" NPTF	Internal	58D-11- XXYZZ	58D-21- XXYZZ	58D-61- XXYZZ
1 1/4" NPTF		58D-12- XXYZZ	58D-22- XXYZZ	58D-62- XXYZZ
1 1/2" NPTF		58D-13- XXYZZ	58D-23- XXYZZ	58D-63- XXYZZ
1" NPTF	External	58D-31- XXYZZ	58D-41- XXYZZ	58D-71- XXYZZ
1 1/4" NPTF		58D-32- XXYZZ	58D-42- XXYZZ	58D-72- XXYZZ
1 1/2" NPTF		58D-33- XXYZZ	58D-43- XXYZZ	58D-73- XXYZZ

- 45
- 700
- 900

SOLENOID OPERATOR >

XX Y ZZ*

XX	Voltage	Y	Manual operator	ZZ	Electrical connection
11	120/60, 110/50, 24 VDC (6.0 W)	0	No operator	JA	Square connector
12	240/60, 220/50	1	Non-locking	JC	Square connector with light
22	24/60, 24/50	2	Locking	BA	Flying leads (18")
52	24 VDC (2.5 W)			CA	Conduit 1/2" NPS
78	24 VDC (24.0 W)			EA	Hazardous location
61	24 VDC (8.5 W)				

- 82
- 6300
- 6500
- 6600
- 1300
- 800
- ISO 1
- ISO 2
- ISO 3
- MAC 125A
- MAC 250A
- MAC 500A

* Other options available, see page 349.

Note : Hazardous location option supplied with no manual operator ("0"). DC voltage not available below 6 Watts.

TECHNICAL DATA

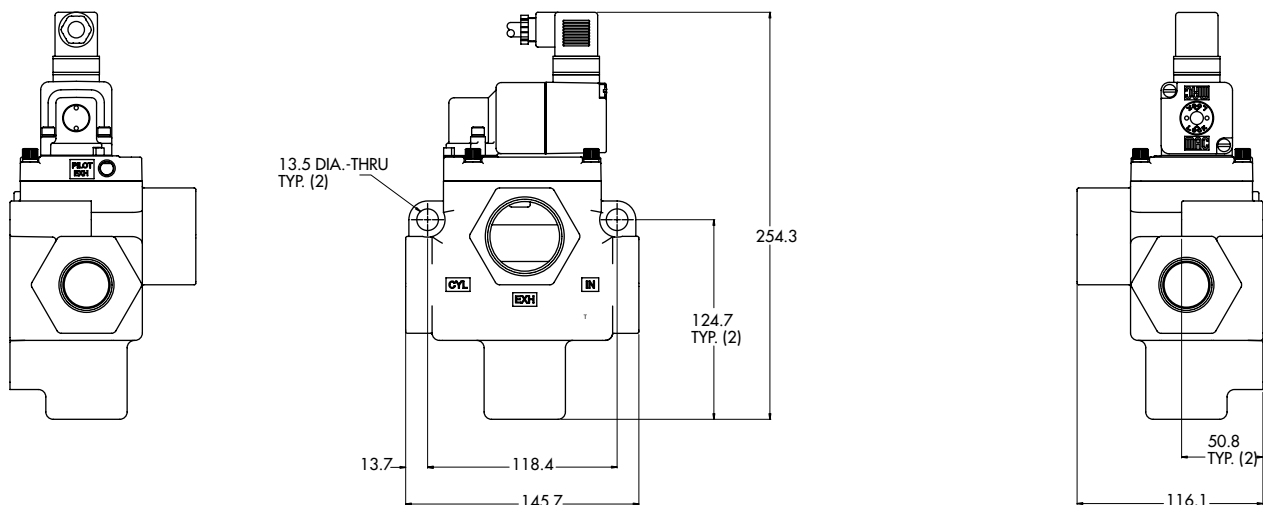
Fluid :	Compressed air, vacuum, inert gases
Pressure range :	Internal pilot : 25 to 150 PSI External pilot : vacuum to 150 PSI
Pilot pressure :	25 to 150 PSI (Not to exceed main valve pressure by more than 50 PSI)
Lubrication :	Not required, if used select a medium aniline point lubricant (between 180°F and 210°F)
Filtration :	40 µ
Temperature range :	0°F to 120°F (-18°C to 50°C)
Flow (at 6 bar, ΔP=1bar) :	Norm. Closed : 1" (18.7 C _v), 1 1/4" (23.0 C _v), 1 1/2" (24.9 C _v), Norm. Open : 1" (20.8 C _v), 1 1/4" (23.8 C _v), 1 1/2" (26.0 C _v)
Coil :	General purpose class A, continuous duty, encapsulated
Voltage range :	-15% to +10% of nominal voltage
Protection :	Consult factory
Power :	~ Inrush : 33 VA Holding : 19.7 VA = 1 to 24 W
Response times :	24 VDC (8.5 W) Energize : 25 ms De-energize : 18ms 120/60 Energize : 10-17 ms De-energize : 17-22 ms

- Spare parts :
- Solenoid operator (power ≥ 6 W) : D4-XXAAB, cover mounting screws 32222 and seal B5-6001.
 - Pilot valve : 250B-XXYZZ, including mounting screws 32203 and function plate A2-7005. • Check valve : 70019.

- Options :
- BSPP threads.

DIMENSIONS

Dimensions shown are metric (mm)



Codification table for voltages / Manual operator / Electrical connection / Wire length

VALVE CODE > **-XX Y ZZ (-VV)**
1 2 3 4

OPTIONS AVAILABLE FOR	OPTIONS AVAILABLE FOR
<ul style="list-style-type: none"> - valves type 100 Series - pilot valves "CNOMO" 	<ul style="list-style-type: none"> - valves type 200 Series
<ul style="list-style-type: none"> - Pilot operated valves with pilots type 100 Series Series : 55 - 56 - 700 - 800 - 900 <li style="padding-left: 20px;">- 6300 - 6500 - 6600 - 1300 <li style="padding-left: 20px;">- ISO 1 - ISO 2 - ISO 3. <li style="padding-left: 20px;">- MAC 125 - MAC 250 - MAC 500 	<ul style="list-style-type: none"> - pilot operated valves with pilots type 200 Series Series : 200 - 57 - 58 - 59.
<ul style="list-style-type: none"> - Pilot operated valves with pilots "CNOMO" Series : ISO1 - ISO2 - ISO3 	

Used on valve series: 100, 55, 56, 700, 800, 900, 6300, 6500, 6600, 1300, MVA1C, MVA2B, MVA3B, MAC125, MAC250, MAC500.

Used on valve series: 200, 57, 58, 59.

1. VOLTAGE (100 Serie type coil)		1. VOLTAGE (200 Serie type coil)	
- XX Y ZZ	VOLTAGE	- XX Y ZZ	VOLTAGE
11	120/60, 110/50	11	120/60, 110/50, 24 VDC (6 W)
12	240/60, 220/50	12	240/60, 220/50
13	100/60, 100/50	13	100/60, 100/50
15	200/60, 200 /50	14	200/60, 200/50
16	10/60	20	6/60
20	6/60	21	12/60
21	12/50, 12/60	22	24/60, 24/50
22	24/60, 24/50	23	32/60, 32/50
23	32/60, 32/50	24	48/60, 42/50
24	48/60, 42/50	25	240/50
26*	380/50, 440/50, 440/60, 480/60	26	480/60, 440/50
29	220/60	27	127/60
34	127/50, 120/50	28	415/50
35	48/50	29	220/60
36	16/60	30	380/50
B1	24/50	31	550/60, 550/50
50	24 VDC (6 W)	32	120/60, 110/50
51	24 VDC (4 W)	33	600/60
54	12 VDC (4 W)	34	127/50
55	12 VDC (6 W)	35	48/50
57	12 VDC (2.5 W)	50	24 VDC (6 W)
59	24 VDC (2.5 W)	51	24 VDC (4.5 W)
60	12 VDC (8.5 W)	52	24 VDC (2.5 W)
61	24 VDC (8.5 W)	53	24 VDC (1.0 W)
64	6 VDC (6 W)	55	12 VDC (6 W)
65	32 VDC (7 W)	57	12 VDC (2.5 W)
66	48 VDC (5.8 W)	58	48 VDC (2.5 W)
67	64 VDC (7.5 W)	60	12 VDC (9.5 W)
68	120 VDC (6.4 W)	61	24 VDC (8.5 W)
69*	220 VDC (8.7 W), 250 VDC (11.2 W)	64	6 VDC (8.5 W)
75	90 VDC (8.8 W)	65	32 VDC (10 W)
76*	100 VDC (6.9 W)	66	48 VDC (11.5 W)
84*	125 VDC (10.9 W)	67	64 VDC (10.5 W)
87*	24 VDC (17.1 W)	68	120 VDC (12.3 W)
88*	12 VDC (17.4 W)	69	250 VDC (9.2 W)
89*	36 VDC (18.8 W)	71	8 VDC (8.2 W)
90	28 VDC (8.2 W)	72	24 VDC (12 W)
91*	6 VDC (10.6 W)	73	198 VDC (10 W)
92	190 VDC (6.5 W)	74	72 VDC (11.3 W)
94	3 VDC (7 W)	75	90 VDC (11.3 W)
95	38 VDC (6.4 W)	76	100 VDC (9 W)
A1	24 VDC (1 W)	77	220 VDC (10 W), 230 VDC (11.6 W)
A2	12 VDC (1 W)	78*	24 VDC (24 W)
A3	9 VDC (1 W)	80	55 VDC (10.6 W)
		82	170 VDC (11.1 W)
		83	15 VDC (8.1 W)
		84	125 VDC (10 W)
		86	36 VDC (11 W)
		93*	12 VDC (24 W)

MOD. DD01 : Protection diode (DC) - MAX. 8.5W

MOD. MOV1 : Protection varistor (AC) - MAX. 8.5W

* Voltages are CLSF only

2. MANUAL OPERATOR (Common options for 100 & 200 Series type coils)

- XX Y ZZ	MANUAL OPERATOR
0	No operator
1	Non-locking recessed
2	Locking recessed
3	Non-locking extended
4	Locking extended

5*	No Operator with Light
6*	Non-Locking Recessed with Light
7*	Locking Recessed with Light
8*	Non-Locking Extended with Light
9*	Locking Extended with Light

* Lights used with "AA" electrical connection

3. ELECTRICAL CONNECTION (100 Serie type coil)

- XX Y ZZ	ELECTRICAL CONNECTION
AA	Wiring box with 1/2" NPS conduit
BA	Flying leads
CA	1/2" NPS conduit
CC	1/2" NPT conduit
FA	Military type 2 PIN
GA	Military type 3 PIN
HA	AA with ground wire
JA*	Square connector
JB	Rectangular connector
JC*	Square connector with light
JD	Rectangular connector with light
JE	Square connector on top (ISO2, ISO3)
JF	Rectangular connector on top (ISO1, ISO2, ISO3)
JG	JE with light
JH	JF with light
JJ	Square connector, male only
JM	Rectangular connector, male only
MA	Electrical common conduit (100 Series-Manifold/900 Series)
MB	Electrical common conduit (100 Series-Stacking/700 Series)
NA	CA with ground wire
NC	CC with ground wire
RA	3/8" NPS conduit

* Not to be used with 100, 800 and 900 Series manifold mounting

3. ELECTRICAL CONNECTION (200 Serie type coil)

- XX Y ZZ	ELECTRICAL CONNECTION
AA	Wiring box with 1/2" NPS conduit
BA	Flying leads
CA	1/2" NPS conduit
CC	1/2" NPT conduit
EA	Explosion proof (200 Series)
EA	Explosion proof (57, 58 & 59 Series)
FA	Military type 2 PIN
GA	Military type 3 PIN
HA	AA with ground wire
JA*	Square connector
JC	Square connector with light
JJ	Square connector, male only
NA	CA with ground wire
NC	CC with ground wire

4. COIL WIRE LENGTH (Common options for 100 & 200 Serie type coils)

- XX Y ZZ (-VV)	WIRE LENGTH
AA	18"
AB	24"
AD	36"
AE	48"
AF	72"
AG	6"
AR	12"
AU	120"
BA	60"
BB	144"
Series 6000 : wire length, from the base	
MOD L024	24"
MOD L036	36"
MOD L048	48"
MOD L060	60"
MOD L072	72"
MOD L120	120"