

Individual mounting

sub-base non "plug-in"	sub-base "plug-in"	
------------------------	--------------------	--

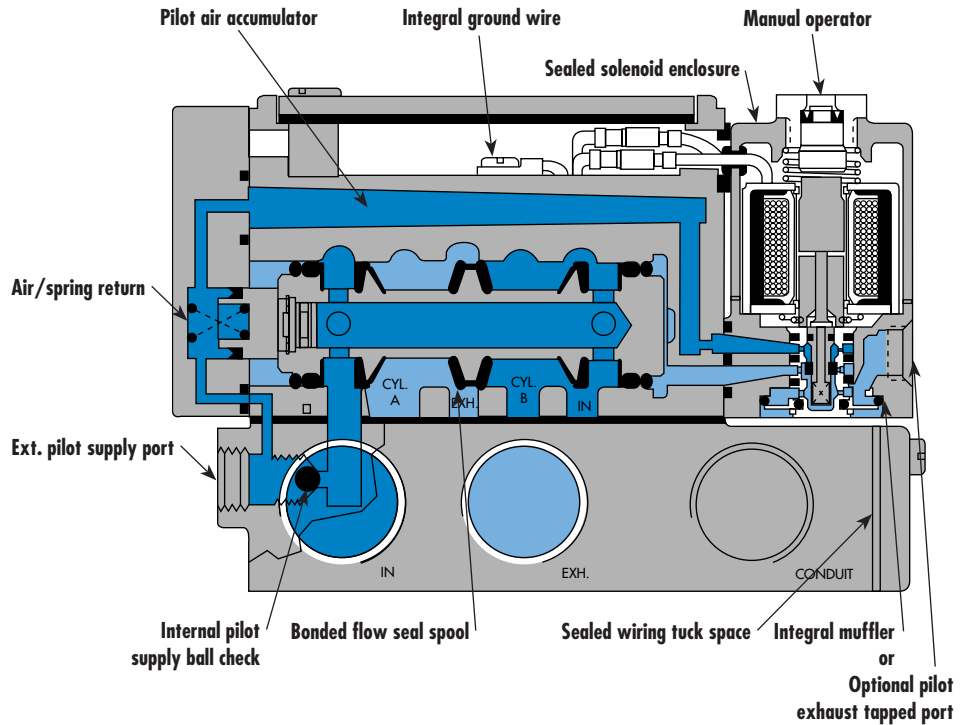
Series

Manifold mounting

sub-base non "plug-in"	sub-base "plug-in"	
------------------------	--------------------	--

35

100



200

55

56

57

58

59

45

700

900

82

**SERIES FEATURES**

- The patented MACSOLENOID® with its non-burn out feature on AC service.
- A large checked accumulator for consistent shifting on single and double solenoid models.
- A plug-in design that provides for internal or external pilot with or without lights and all electrical and air plumbing in the base — the valve portion is the same.
- Non-lubricated or lubricated service.
- Optional low wattage DC solenoids down to 1 watt.
- Optional indicator lights, and various types of manual operators.
- Non plug-in or external plug-in models are available.

**6300**

6500

6600

1300

800

ISO 1

ISO 2

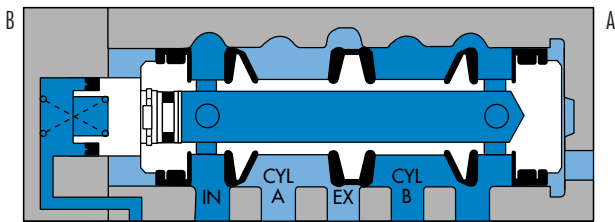
ISO 3

MAC 125A

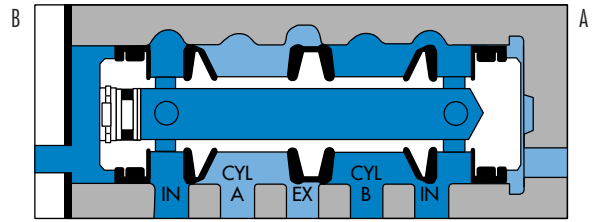
MAC 250A

MAC 500A

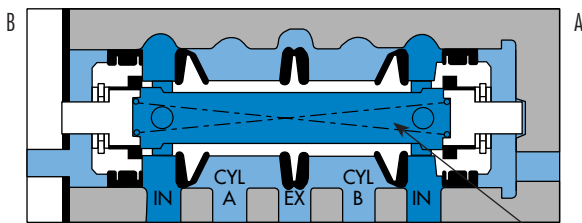
**SPOOL CONFIGURATIONS**



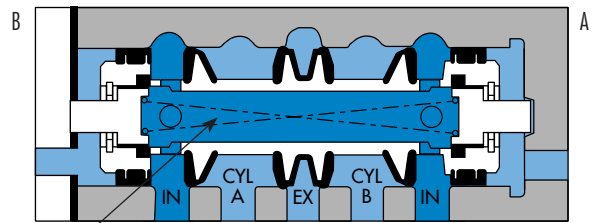
2 POS. SINGLE OPERATOR SPRING RETURN  
B ACTUATED SHOWN



2 POS. DOUBLE OPERATOR  
B ACTUATED SHOWN



3 POS. OPEN CENTER  
CENTER POSITION SHOWN



3 POS. CLOSED CENTER  
CENTER POSITION SHOWN

AIR/SPRING  
CENTERING

**VALVE CONFIGURATIONS AVAILABLE**

The versatile 6300 Series provides high flow, extremely fast response, and long life in a compact package and is available in the following configurations:

- 2-Pos., single or double operators (solenoid or remote air).
- 3-Pos., double operator-Closed Center, Open Center or Pressure Center (solenoid or remote air).
- Single pressure.
- Dual pressure on manifolds with sandwich regulators.
- Individual base or add-a-unit manifold base.
- Internal pilot or for Vacuum to 25 PSI main valve pressures, external pilot.
- Manual and mechanical operators available.
- All models available with sandwich regulators (Except remote air pilot).

**REMOTE AIR PILOT OPERATED VALVES**

These remote air versions feature:

- A large checked accumulator for air/spring return on single remote air models.
- Non-lubricated or lubricated service.
- All piping connections, including the remote air pilot supply, in the base.

**REMOTE AIR PILOT, PILOT OPERATED VALVES**

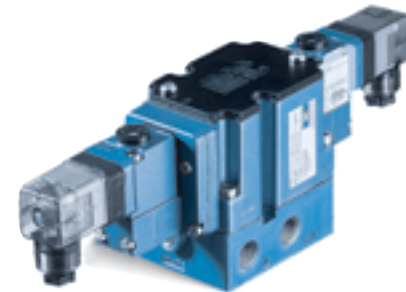
These special air versions have the same features as the remote air pilot operated models, but additionally feature:

- A manual operator and indicator.
- Ability to use a pilot signal pressure different from the main valve pressure.  
Pilot signal can be from 20 to 150 PSIG, regardless of main valve pressure.

Function	Port size	Flow (Max)	Individual mounting	Series
<b>4/2 - 4/3</b>	<b>1/4" - 3/8" - 1/2"</b>	<b>3.0 C<sub>v</sub></b>	sub-base non "plug-in"	

### OPERATIONAL BENEFITS

- Balanced spool, immune to variations of pressure.
- Short stroke with high flow.
- High shifting forces.
- Checked accumulator guarantees maximum pilot pressure.
- Powerful return force thanks to the combination of mechanical and air springs.
- Bonded spool with minimum friction, shifting in a glass-like finished bore.
- Wiping effect eliminates sticking.
- Pilot valve with balanced poppet, high flow, short and consistent response times.



35  
100  
200  
55  
56  
57  
58  
59

### HOW TO ORDER

Port size	Pilot air	4/2 Single operator	4/2 Double operator	4/3 Closed center	4/3 Open center
<b>Valve less base</b>		6312D-000-PM- <b>XXYYZZ</b>	6322D-000-PM- <b>XXYYZZ</b>	6332D-000-PM- <b>XXYYZZ</b>	6342D-000-PM- <b>XXYYZZ</b>
<b>sub-base</b>	Internal	6312D-131-PM- <b>XXYYZZ</b>	6322D-131-PM- <b>XXYYZZ</b>	6332D-131-PM- <b>XXYYZZ</b>	6342D-131-PM- <b>XXYYZZ</b>
<b>1/4" NPTF</b>	External	6312D-141-PM- <b>XXYYZZ</b>	6322D-141-PM- <b>XXYYZZ</b>	6332D-141-PM- <b>XXYYZZ</b>	6342D-141-PM- <b>XXYYZZ</b>
<b>sub-base</b>	Internal	6312D-231-PM- <b>XXYYZZ</b>	6322D-231-PM- <b>XXYYZZ</b>	6332D-231-PM- <b>XXYYZZ</b>	6342D-231-PM- <b>XXYYZZ</b>
<b>3/8" NPTF</b>	External	6312D-241-PM- <b>XXYYZZ</b>	6322D-241-PM- <b>XXYYZZ</b>	6332D-241-PM- <b>XXYYZZ</b>	6342D-241-PM- <b>XXYYZZ</b>
<b>sub-base</b>	Internal	6312D-331-PM- <b>XXYYZZ</b>	6322D-331-PM- <b>XXYYZZ</b>	6332D-331-PM- <b>XXYYZZ</b>	6342D-331-PM- <b>XXYYZZ</b>
<b>1/2" NPTF</b>	External	6312D-341-PM- <b>XXYYZZ</b>	6322D-341-PM- <b>XXYYZZ</b>	6332D-341-PM- <b>XXYYZZ</b>	6342D-341-PM- <b>XXYYZZ</b>

45  
700

Note : Above codes shown are for side ports.

### SOLENOID OPERATOR ▶

**XX Y ZZ\***

XX Voltage	Y Manual operator	ZZ Electrical connection
<b>11</b> 120/60, 110/50	<b>1</b> Non-locking	<b>JB</b> Rectangular connector
<b>12</b> 240/60, 220/50	<b>2</b> Locking	<b>JD</b> Rectangular connector with light
<b>22</b> 24/60, 24/50		<b>JA</b> Square connector
<b>59</b> 24 VDC (2.5 W)		<b>JC</b> Square connector with light
<b>87</b> 24 VDC (17.1 W)		<b>BA</b> Flying leads (18")
<b>61</b> 24 VDC (8.5 W)		

900  
82

**6300**

**6500**

**6600**

**1300**

**800**

**ISO 1**

**ISO 2**

**ISO 3**

**MAC 125A**

**MAC 250A**

**MAC 500A**

\* Other options available, see page 357.

Note : Photo shown with JC connector.

### OPTIONS

6312D-XXX-PM-**XXYYZZ**

- For piped pilot exhaust replace M by P.
- For bottom cylinder ports (excluding 1/2"), replace by 4.
- For dual pressure valves (see page 293 for use with sandwich regulators), replace by 5.

Note : 1. The valve less base is always the same for internal or external pilot. These options are effected in the base.  
2. To order bases without the valve, choose the base from the above table, then add 6300D as a prefix. Example 6300D-131.

**TECHNICAL DATA**

<b>Fluid :</b>	Compressed air, vacuum, inert gases		
<b>Pressure range :</b>	Internal pilot : single operator and 3 positions : 25-150 PSI	double operator : 10-150 PSI	
	External pilot : vacuum to 150 PSI		
<b>Pilot pressure :</b>	Single operator and 3 positions : 25-150 PSI Double operator : 10-150 PSI		
<b>Lubrication :</b>	Not required, if used select a medium aniline point lubricant (between 180°F to 210°F)		
<b>Filtration :</b>	40 μ		
<b>Temperature range :</b>	0°F to 120°F (-18°C to 50°C)		
<b>Flow (at 6 bar, ΔP=1bar) :</b>	1/4" (2.0 C <sub>v</sub> ), 3/8" : (2.6 C <sub>v</sub> ), 1/2" (3.0 C <sub>v</sub> )		
<b>Coil :</b>	Epoxy encapsulated - class A wires - Continuous duty.		
<b>Voltage range :</b>	-15% to +10% of nominal voltage		
<b>Protection :</b>	Consult factory		
<b>Power :</b>	~ Inrush : 14.8 VA	Holding : 10.9 VA	
	= 1 to 17.1 W		
<b>Response times :</b>	24 VDC (8.5 W)	Energize : 10 ms	De-energize : 11 ms
	120/60	Energize : 4-13 ms	De-energize : 10-17 ms

Spare parts :

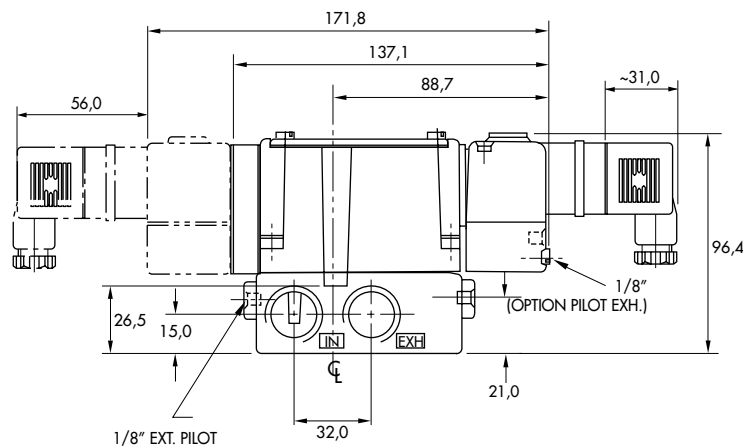
- Solenoid operator (power ≥ 4 W) : D1-XXAA, cover mounting screws 35206 and seal 16234.
- Pilot valve : PME-XXYZZ, including seal 16337. • Pressure seal between valve and base : 16298.
- Mounting screw valve to base (x4) : 35303.

Options :

- BSPP threads.

**DIMENSIONS**

Dimensions shown are metric (mm)



Function	Port size	Flow [Max]	Individual mounting	Series
<b>4/2 - 4/3</b>	<b>1/4" - 3/8" - 1/2"</b>	<b>3.0 C<sub>v</sub></b>	sub-base "plug-in"	

### OPERATIONAL BENEFITS

- Balanced spool, immune to variations of pressure.
- Short stroke with high flow.
- High shifting forces.
- Checked accumulator guarantees maximum pilot pressure.
- Powerful return force thanks to the combination of mechanical and air springs.
- Bonded spool with minimum friction, shifting in a glass-like finished bore.
- Wiping effect eliminates sticking.
- Pilot valve with balanced poppet, high flow, short and consistent response times.



35  
100  
200  
55  
56  
57  
58  
59

### HOW TO ORDER

Port size	Pilot air	4/2 Single operator	4/2 Double operator	4/3 Closed center	4/3 Open center
<b>Valve less base</b>		6311D-000-PM- <b>XXY</b> DA	6321D-000-PM- <b>XXY</b> DA	6331D-000-PM- <b>XXY</b> DA	6341D-000-PM- <b>XXY</b> DA
<b>sub-base</b>	Internal	6311D-111-PM- <b>XXY</b> DA	6321D-111-PM- <b>XXY</b> DA	6331D-111-PM- <b>XXY</b> DA	6341D-111-PM- <b>XXY</b> DA
<b>1/4" NPTF</b>	External	6311D-121-PM- <b>XXY</b> DA	6321D-121-PM- <b>XXY</b> DA	6331D-121-PM- <b>XXY</b> DA	6341D-121-PM- <b>XXY</b> DA
<b>sub-base</b>	Internal	6311D-211-PM- <b>XXY</b> DA	6321D-211-PM- <b>XXY</b> DA	6331D-211-PM- <b>XXY</b> DA	6341D-211-PM- <b>XXY</b> DA
<b>3/8" NPTF</b>	External	6311D-221-PM- <b>XXY</b> DA	6321D-221-PM- <b>XXY</b> DA	6331D-221-PM- <b>XXY</b> DA	6341D-221-PM- <b>XXY</b> DA
<b>sub-base</b>	Internal	6311D-311-PM- <b>XXY</b> DA	6321D-311-PM- <b>XXY</b> DA	6331D-311-PM- <b>XXY</b> DA	6341D-311-PM- <b>XXY</b> DA
<b>1/2" NPTF</b>	External	6311D-321-PM- <b>XXY</b> DA	6321D-321-PM- <b>XXY</b> DA	6331D-321-PM- <b>XXY</b> DA	6341D-321-PM- <b>XXY</b> DA

45  
700  
900  
82

Note : Above codes shown are for side ports without lights.

### SOLENOID OPERATOR ▶

**XX Y DA\***

XX Voltage	Y Manual operator
<b>11</b> 120/60, 110/50	<b>1</b> Non-locking
<b>12</b> 240/60, 220/50	<b>2</b> Locking
<b>22</b> 24/60, 24/50	
<b>59</b> 24 VDC (2.5 W)	
<b>87</b> 24 VDC (17.1 W)	
<b>61</b> 24 VDC (8.5 W)	

\* Other options available, see page 357.

**6300**  
6500  
6600  
1300  
800  
ISO 1  
ISO 2  
ISO 3  
MAC 125A  
MAC 250A  
MAC 500A

### OPTIONS

6311D-XXX-PM- <b>XXY</b> DA	- For piped pilot exhaust replace M by P.
	- For bottom ports (excluding 1/2"), replace by 4 (no light), by 5 (sgl. light), by 6 (dbl. light).
	- For side ports with lights on base, replace by 2 (sgl. light), by 3 (dbl. light).
	- For lights on valve body, replace by 3.
	- For dual pressure valves with lights on valve body (see page 293 for use with sandwich regulators), replace by 6.

Note : 1. The valve less base is always the same for internal or external pilot. These options are effected in the base.  
2. To order bases without the valve, choose the base from the above table, then add 6300D as a prefix. Example 6300D-111.

**TECHNICAL DATA**

<b>Fluid :</b>	Compressed air, vacuum, inert gases		
<b>Pressure range :</b>	Internal pilot : single operator and 3 positions : 25-150 PSI	double operator : 10-150 PSI	
	External pilot : vacuum to 150 PSI		
<b>Pilot pressure :</b>	Single operator and 3 positions : 25-150 PSI Double operator : 10-150 PSI		
<b>Lubrication :</b>	Not required, if used select a medium aniline point lubricant (between 180°F to 210°F)		
<b>Filtration :</b>	40 µ		
<b>Temperature range :</b>	0°F to 120°F (-18°C to 50°C)		
<b>Flow (at 6 bar, ΔP=1bar) :</b>	1/4" (2.0 C <sub>v</sub> ), 3/8" : (2.6 C <sub>v</sub> ), 1/2" (3.0 C <sub>v</sub> )		
<b>Coil :</b>	Epoxy encapsulated - class A wires - Continuous duty.		
<b>Voltage range :</b>	-15% to +10% of nominal voltage		
<b>Protection :</b>	Consult factory		
<b>Power :</b>	~ Inrush : 14.8 VA	Holding : 10.9 VA	
	= 1 to 17.1 W		
<b>Response times :</b>	24 VDC (8.5 W)	Energize : 10 ms	De-energize : 11 ms
	120/60	Energize : 4-13 ms	De-energize : 10-17 ms

Spare parts :

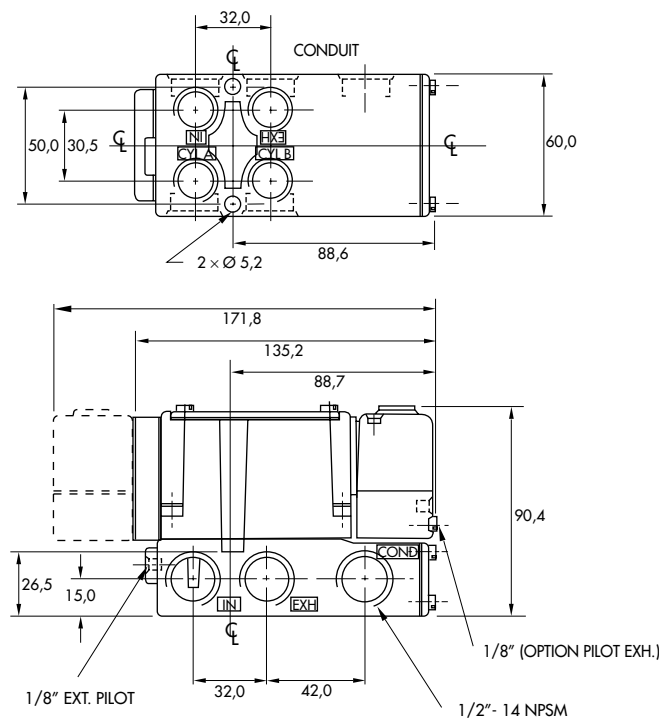
- Solenoid operator (power ≥ 4 W) : D1-XXBE, cover mounting screws 35206 and seal 16234.
- Pilot valve : PME-XXYDA-BE, including seal 16337. • Pressure seal between valve and base : 16298.
- Mounting screw valve to base (x4) : 35303.

Options :

- BSPP threads.

**DIMENSIONS**

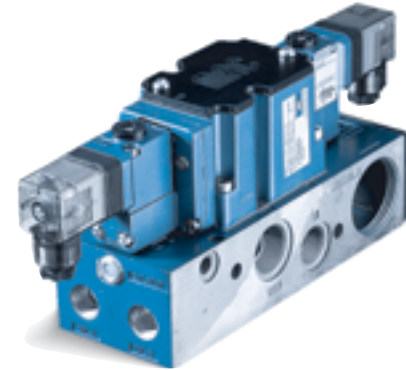
Dimensions shown are metric (mm)



Function	Port size	Flow [Max]	Manifold mounting	Series
<b>4/2 - 4/3</b>	<b>3/8" - 1/2"</b>	<b>3.0 C<sub>v</sub></b>	sub-base non "plug-in"	

### OPERATIONAL BENEFITS

- Balanced spool, immune to variations of pressure.
- Short stroke with high flow.
- High shifting forces.
- Checked accumulator guarantees maximum pilot pressure.
- Powerful return force thanks to the combination of mechanical and air springs.
- Bonded spool with minimum friction, shifting in a glass-like finished bore.
- Wiping effect eliminates sticking.
- Pilot valve with balanced poppet, high flow, short and consistent response times.



35  
100  
200  
55  
56  
57  
58  
59

### HOW TO ORDER

Port size	Pilot air	4/2 Single operator	4/2 Double operator	4/3 Closed center	4/3 Open center	4/3 Pressure center
<b>Valve less base</b>		6312D-000-PM- <b>XXYYZZ</b>	6322D-000-PM- <b>XXYYZZ</b>	6332D-000-PM- <b>XXYYZZ</b>	6342D-000-PM- <b>XXYYZZ</b>	6352D-000-PM- <b>XXYYZZ</b>
<b>sub-base</b>	Internal	6312D-531-PM- <b>XXYYZZ</b>	6322D-531-PM- <b>XXYYZZ</b>	6332D-531-PM- <b>XXYYZZ</b>	6342D-531-PM- <b>XXYYZZ</b>	6352D-531-PM- <b>XXYYZZ</b>
<b>3/8" NPTF</b>	External	6312D-541-PM- <b>XXYYZZ</b>	6322D-541-PM- <b>XXYYZZ</b>	6332D-541-PM- <b>XXYYZZ</b>	6342D-541-PM- <b>XXYYZZ</b>	6352D-541-PM- <b>XXYYZZ</b>
<b>sub-base</b>	Internal	6312D-631-PM- <b>XXYYZZ</b>	6322D-631-PM- <b>XXYYZZ</b>	6332D-631-PM- <b>XXYYZZ</b>	6342D-631-PM- <b>XXYYZZ</b>	6352D-631-PM- <b>XXYYZZ</b>
<b>1/2" NPTF</b>	External	6312D-641-PM- <b>XXYYZZ</b>	6322D-641-PM- <b>XXYYZZ</b>	6332D-641-PM- <b>XXYYZZ</b>	6342D-641-PM- <b>XXYYZZ</b>	6352D-641-PM- <b>XXYYZZ</b>

Note : Above codes shown are for side cylinder ports.

### SOLENOID OPERATOR ►

**XX Y ZZ\***

XX Voltage	Y Manual operator	ZZ Electrical connection
<b>11</b> 120/60, 110/50	<b>1</b> Non-locking	<b>JB</b> Rectangular connector
<b>12</b> 240/60, 220/50	<b>2</b> Locking	<b>JD</b> Rectangular connector with light
<b>22</b> 24/60, 24/50		<b>JA</b> Square connector
<b>59</b> 24 VDC (2.5 W)		<b>JC</b> Square connector with light
<b>87</b> 24 VDC (17.1 W)		<b>BA</b> Flying leads (18")
<b>61</b> 24 VDC (8.5 W)		

Note : Photo shown with JC connector.

\* Other options available, see page 357.

### OPTIONS

6312D-XXX-PM- <b>XXYYZZ</b>
- For piped pilot exhaust replace M by P.
- For bottom cylinder ports, replace by 4.
- For bottom and side cylinder ports, replace by 7.
- For dual pressure valves (see page 293 for use with sandwich regulators), replace by 5.

### MODIFICATIONS - MOD 0210 Bottom inlet port in addition to side inlet port - TO ORDER : 6312D-531-PM-111JA MOD 0210

- Note : 1. The valve less base is always the same for internal or external pilot. These options are effected in the manifold.  
 2. To order manifolds without the valve, choose the manifold from the above table, then add 6300D as a prefix. Example 6300D-631.  
 3. When ordering an external pilot connection for manifold bases, a common external pilot port is standard. One connection only is required for all the valves in the manifold whether single or double solenoid.  
 4. Manifolds for solenoid and remote air operated valves must be ganged separately.

700  
900  
82  
**6300**

6500  
6600  
1300  
800  
ISO 1  
ISO 2  
ISO 3  
MAC 125A  
MAC 250A  
MAC 500A

**TECHNICAL DATA**

<b>Fluid :</b>	Compressed air, vacuum, inert gases		
<b>Pressure range :</b>	Internal pilot : single operator and 3 positions : 25-150 PSI		double operator : 10-150 PSI
	External pilot : vacuum to 150 PSI		
<b>Pilot pressure :</b>	Single operator and 3 positions : 25-150 PSI Double operator : 10-150 PSI		
<b>Lubrication :</b>	Not required, if used select a medium aniline point lubricant (between 180°F to 210°F)		
<b>Filtration :</b>	40 μ		
<b>Temperature range :</b>	0°F to 120°F (-18°C to 50°C)		
<b>Flow (at 6 bar, ΔP=1bar) :</b>	3/8" : (2.6 C <sub>v</sub> ), 1/2" (3.0 C <sub>v</sub> )		
<b>Coil :</b>	Epoxy encapsulated - class A wires - Continuous duty.		
<b>Voltage range :</b>	-15% to +10% of nominal voltage		
<b>Protection :</b>	Consult factory		
<b>Power :</b>	~ Inrush : 14.8 VA Holding : 10.9 VA = 1 to 17.1 W		
<b>Response times :</b>	24 VDC (8.5 W)	Energize : 10 ms	De-energize : 11 ms
	120/60	Energize : 4-13 ms	De-energize : 10-17 ms

Spare parts :

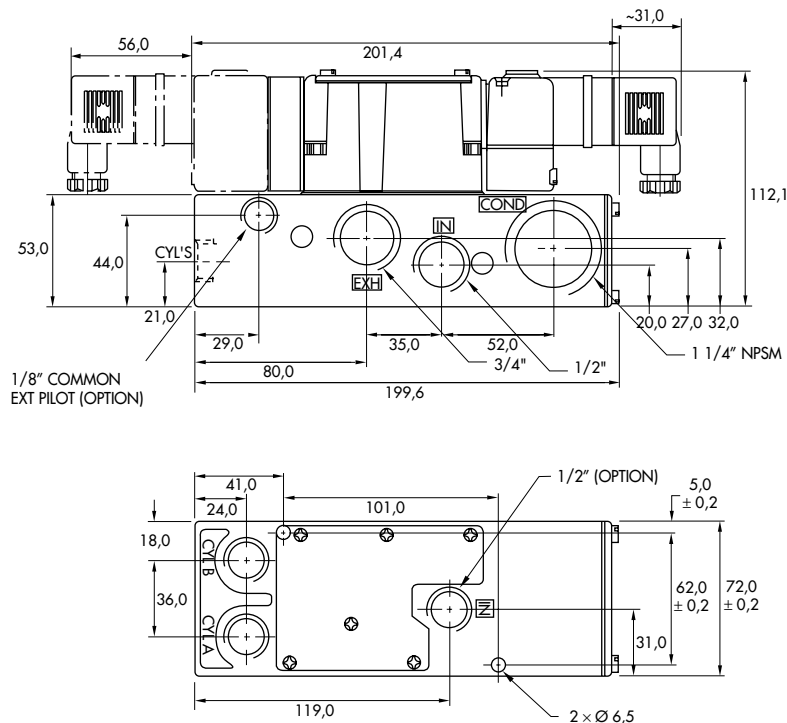
- Solenoid operator (power ≥ 4 W) : D1-XXAA, cover mounting screws 35206 and seal 16234.
- Pilot valve : PME-XYZZ, including seal 16337. • Pressure seal between valve and base : 16396.
- Mounting screw valve to base (x4) : 35303. • Tie-rod (x2) : 19624. • Fastening kit : N-63002-01
- Inlet isolator : 32839. • Exhaust isolator : 28309. • Blank station cover plate : M-63014.

Options :

- BSPP threads.

**DIMENSIONS**

Dimensions shown are metric (mm)





Function	Port size	Flow [Max]	Manifold mounting	Series
<b>4/2 - 4/3</b>	<b>3/8" - 1/2"</b>	<b>3.0 C<sub>v</sub></b>	sub-base "plug-in"	

### OPERATIONAL BENEFITS

- Balanced spool, immune to variations of pressure.
- Short stroke with high flow.
- High shifting forces.
- Checked accumulator guarantees maximum pilot pressure.
- Powerful return force thanks to the combination of mechanical and air springs.
- Bonded spool with minimum friction, shifting in a glass-like finished bore.
- Wiping effect eliminates sticking.
- Pilot valve with balanced poppet, high flow, short and consistent response times.

### HOW TO ORDER

Port size	Pilot air	4/2 Single operator	4/2 Double operator	4/3 Closed center	4/3 Open center	4/3 Pressure center
<b>Valve less base</b>		6311D-000-PM- <b>XXY</b> DA	6321D-000-PM- <b>XXY</b> DA	6331D-000-PM- <b>XXY</b> DA	6341D-000-PM- <b>XXY</b> DA	6351D-000-PM- <b>XXY</b> DA
<b>sub-base</b>	Internal	6311D-511-PM- <b>XXY</b> DA	6321D-511-PM- <b>XXY</b> DA	6331D-511-PM- <b>XXY</b> DA	6341D-511-PM- <b>XXY</b> DA	6351D-511-PM- <b>XXY</b> DA
<b>3/8" NPTF</b>	External	6311D-521-PM- <b>XXY</b> DA	6321D-521-PM- <b>XXY</b> DA	6331D-521-PM- <b>XXY</b> DA	6341D-521-PM- <b>XXY</b> DA	6351D-521-PM- <b>XXY</b> DA
<b>sub-base</b>	Internal	6311D-611-PM- <b>XXY</b> DA	6321D-611-PM- <b>XXY</b> DA	6331D-611-PM- <b>XXY</b> DA	6341D-611-PM- <b>XXY</b> DA	6351D-611-PM- <b>XXY</b> DA
<b>1/2" NPTF</b>	External	6311D-621-PM- <b>XXY</b> DA	6321D-621-PM- <b>XXY</b> DA	6331D-621-PM- <b>XXY</b> DA	6341D-621-PM- <b>XXY</b> DA	6351D-621-PM- <b>XXY</b> DA

Note : Above codes shown are for side cylinder ports without lights.

### SOLENOID OPERATOR ►

**XX Y DA\***

XX Voltage	Y Manual operator
<b>11</b> 120/60, 110/50	<b>1</b> Non-locking
<b>12</b> 240/60, 220/50	<b>2</b> Locking
<b>22</b> 24/60, 24/50	
<b>59</b> 24 VDC (2.5 W)	
<b>87</b> 24 VDC (17.1 W)	
<b>61</b> 24 VDC (8.5 W)	

\* Other options available, see page 357.

### OPTIONS

6311D-XXX-PM- <b>XXY</b> DA
- For piped pilot exhaust replace M by P.
- For bottom cylinder ports, replace by 4 (no light), by 5 (sgl. light), by 6 (dbl. light).
- For side cylinder ports with light, replace by 2 (sgl. light), by 3 (dbl. light).
- For bottom and side cylinder ports, replace by 7 (no light), by 8 (sgl. light), by 9 (dbl. light).
- For lights on valve body, replace by 3.
- For dual pressure valves with lights on valve body (see page 293 for use with sandwich regulators), replace by 6.

### MODIFICATIONS - MOD 0210 Bottom inlet port in addition to side inlet port - TO ORDER : 6311D-511-PM-111DA MOD 0210

- Note :
- The valve less base is always the same for internal or external pilot. These options are effected in the manifold.
  - To order manifolds without the valve, choose the manifold from the above table, then add 6300D as a prefix. Example 6300D-511.
  - When ordering an external pilot connection for manifold bases, a common external pilot port is standard. One connection only is required for all the valves in the manifold whether single or double solenoid.
  - Manifolds for solenoid and remote air operated valves must be ganged separately.



35

100

200

55

56

57

58

59

45

700

900

82

**6300**

6500

6600

1300

800

ISO 1

ISO 2

ISO 3

MAC 125A

MAC 250A

MAC 500A

**TECHNICAL DATA**

<b>Fluid :</b>	Compressed air, vacuum, inert gases		
<b>Pressure range :</b>	Internal pilot : single operator and 3 positions : 25-150 PSI	double operator : 10-150 PSI	
	External pilot : vacuum to 150 PSI		
<b>Pilot pressure :</b>	Single operator and 3 positions : 25-150 PSI Double operator : 10-150 PSI		
<b>Lubrication :</b>	Not required, if used select a medium aniline point lubricant (between 180°F to 210°F)		
<b>Filtration :</b>	40 µ		
<b>Temperature range :</b>	0°F to 120°F (-18°C to 50°C)		
<b>Flow (at 6 bar, ΔP=1bar) :</b>	3/8" : (2.6 C <sub>v</sub> ), 1/2" (3.0 C <sub>v</sub> )		
<b>Coil :</b>	Epoxy encapsulated - class A wires - Continuous duty.		
<b>Voltage range :</b>	-15% to +10% of nominal voltage		
<b>Protection :</b>	Consult factory		
<b>Power :</b>	~ Inrush : 14.8 VA	Holding : 10.9 VA	
	= 1 to 17.1 W		
<b>Response times :</b>	24 VDC (8.5 W)	Energize : 10 ms	De-energize : 11 ms
	120/60	Energize : 4-13 ms	De-energize : 10-17 ms

Spare parts :

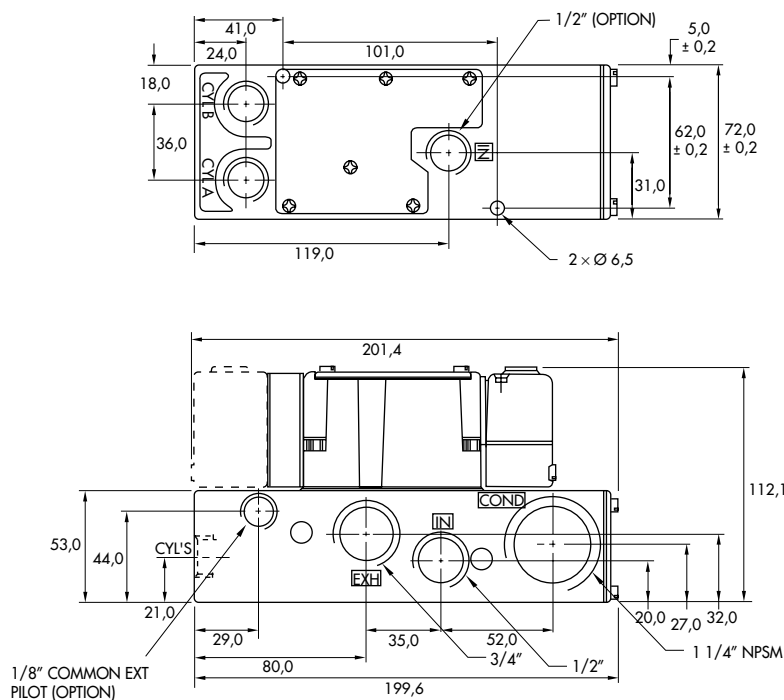
- Solenoid operator (power ≥ 4 W) : D1-XXBE, cover mounting screws 35206 and seal 16234.
- Pilot valve : PME-XXYDA-BE, including seal 16337. • Pressure seal between valve and base : 16396.
- Mounting screw valve to base (x4) : 35303. • Tie-rod (x2) : 19624. • Fastening kit : N-63002-01
- Inlet isolator : 32839. • Exhaust isolator : 28309. • Blank station cover plate : M-63014.

Options :

- BSPP threads.

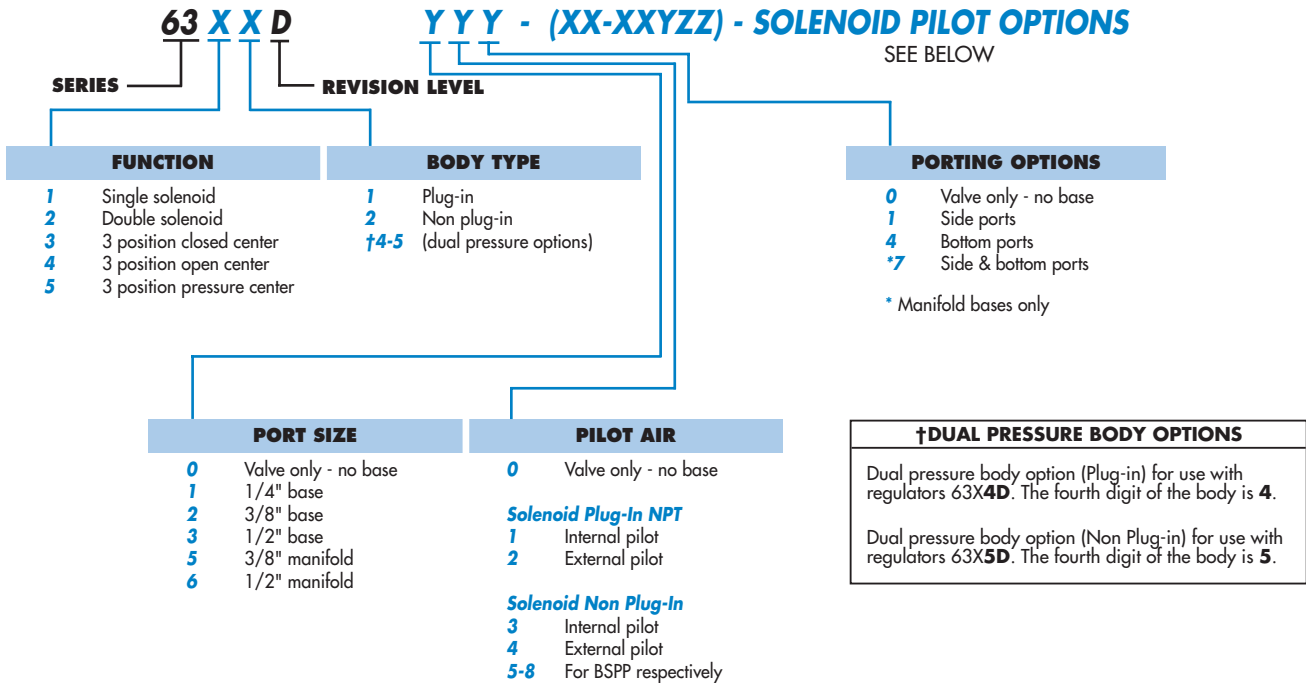
**DIMENSIONS**

Dimensions shown are metric (mm)

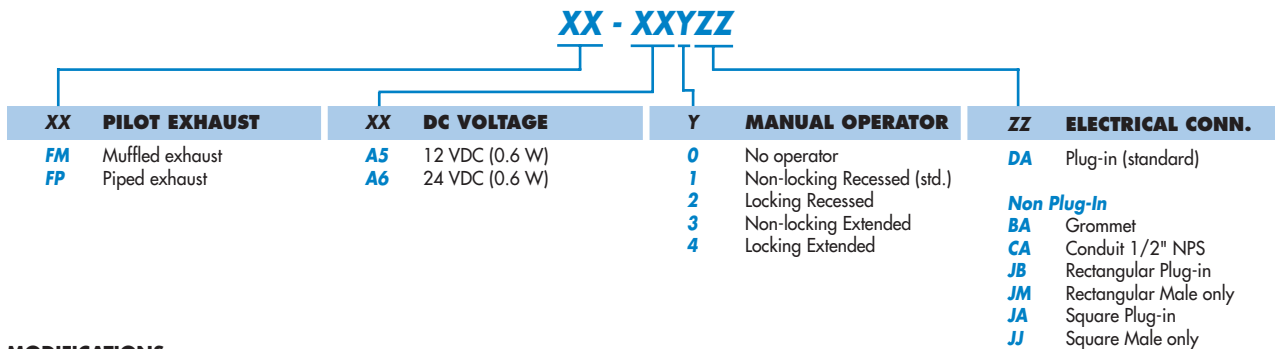


HOW TO ORDER

BODY/BASE OPTIONS



PILOT VALVE OPTIONS



MODIFICATIONS

MOD 0210 Bottom inlet port in addition to side inlet port (manifolds only)

TO ORDER: 6311D-511-FM-A51DA MOD 0210

Manifold Accessories: Inlet Isolators #32839. Exhaust Isolator #28309.

- NOTE:**
1. The valve less base is always the same for internal or external pilot. These options are effected in the base or manifold.
  2. When ordering an external pilot connection for manifold bases, a common external pilot is standard. One connection only is required for all the valves in the manifold whether single or double solenoid.

**Codification table for voltages / Manual operator / Electrical connection / Wire length**

VALVE CODE ► **- XX Y ZZ (-VV)**  
**1 2 3 4**

OPTIONS AVAILABLE FOR	OPTIONS AVAILABLE FOR
<ul style="list-style-type: none"> <li>- valves type 100 Series</li> <li>- pilot valves "CNOMO"</li> </ul>	<ul style="list-style-type: none"> <li>- valves type 200 Series</li> </ul>
<ul style="list-style-type: none"> <li>- Pilot operated valves with pilots type 100 Series</li> <li>Series : 55 - 56 - 700 - 800 - 900</li> <li style="padding-left: 20px;">- 6300 - 6500 - 6600 - 1300</li> <li style="padding-left: 20px;">- ISO 1 - ISO 2 - ISO 3.</li> <li style="padding-left: 20px;">- MAC 125 - MAC 250 - MAC 500</li> </ul>	<ul style="list-style-type: none"> <li>- pilot operated valves with pilots type 200 Series</li> <li>Series : 200 - 57 - 58 - 59.</li> </ul>
<ul style="list-style-type: none"> <li>- Pilot operated valves with pilots "CNOMO"</li> <li>Series : ISO1 - ISO2 - ISO3</li> </ul>	

Used on valve series: 100, 55, 56, 700, 800, 900, 6300, 6500, 6600, 1300, MVA1C, MVA2B, MVA3B, MAC125, MAC250, MAC500.

Used on valve series: 200, 57, 58, 59.

1. VOLTAGE (100 Serie type coil)		1. VOLTAGE (200 Serie type coil)	
- XX Y ZZ	VOLTAGE	- XX Y ZZ	VOLTAGE
11	120/60, 110/50	11	120/60, 110/50, 24 VDC (6 W)
12	240/60, 220/50	12	240/60, 220/50
13	100/60, 100/50	13	100/60, 100/50
15	200/60, 200 /50	14	200/60, 200/50
16	10/60	20	6/60
20	6/60	21	12/60
21	12/50, 12/60	22	24/60, 24/50
22	24/60, 24/50	23	32/60, 32/50
23	32/60, 32/50	24	48/60, 42/50
24	48/60, 42/50	25	240/50
26*	380/50, 440/50, 440/60, 480/60	26	480/60, 440/50
29	220/60	27	127/60
34	127/50, 120/50	28	415/50
35	48/50	29	220/60
36	16/60	30	380/50
B1	24/50	31	550/60, 550/50
50	24 VDC (6 W)	32	120/60, 110/50
51	24 VDC (4 W)	33	600/60
54	12 VDC (4 W)	34	127/50
55	12 VDC (6 W)	35	48/50
57	12 VDC (2.5 W)	50	24 VDC (6 W)
59	24 VDC (2.5 W)	51	24 VDC (4.5 W)
60	12 VDC (8.5 W)	52	24 VDC (2.5 W)
61	24 VDC (8.5 W)	53	24 VDC (1.0 W)
64	6 VDC (6 W)	55	12 VDC (6 W)
65	32 VDC (7 W)	57	12 VDC (2.5 W)
66	48 VDC (5.8 W)	58	48 VDC (2.5 W)
67	64 VDC (7.5 W)	60	12 VDC (9.5 W)
68	120 VDC (6.4 W)	61	24 VDC (8.5 W)
69*	220 VDC (8.7 W), 250 VDC (11.2 W)	64	6 VDC (8.5 W)
75	90 VDC (8.8 W)	65	32 VDC (10 W)
76*	100 VDC (6.9 W)	66	48 VDC (11.5 W)
84*	125 VDC (10.9 W)	67	64 VDC (10.5 W)
87*	24 VDC (17.1 W)	68	120 VDC (12.3 W)
88*	12 VDC (17.4 W)	69	250 VDC (9.2 W)
89*	36 VDC (18.8 W)	71	8 VDC (8.2 W)
90	28 VDC (8.2 W)	72	24 VDC (12 W)
91*	6 VDC (10.6 W)	73	198 VDC (10 W)
92	190 VDC (6.5 W)	74	72 VDC (11.3 W)
94	3 VDC (7 W)	75	90 VDC (11.3 W)
95	38 VDC (6.4 W)	76	100 VDC (9 W)
A1	24 VDC (1 W)	77	220 VDC (10 W), 230 VDC (11.6 W)
A2	12 VDC (1 W)	78*	24 VDC (24 W)
A3	9 VDC (1 W)	80	55 VDC (10.6 W)
		82	170 VDC (11.1 W)
		83	15 VDC (8.1 W)
		84	125 VDC (10 W)
		86	36 VDC (11 W)
		93*	12 VDC (24 W)

MOD. DD01 : Protection diode (DC) - MAX. 8.5W

MOD. MOV1 : Protection varistor (AC) - MAX. 8.5W

\* Voltages are CLSF only

**2. MANUAL OPERATOR (Common options for 100 & 200 Series type coils)**

- XX Y ZZ	MANUAL OPERATOR
<b>0</b>	No operator
<b>1</b>	Non-locking recessed
<b>2</b>	Locking recessed
<b>3</b>	Non-locking extended
<b>4</b>	Locking extended

<b>5*</b>	No Operator with Light
<b>6*</b>	Non-Locking Recessed with Light
<b>7*</b>	Locking Recessed with Light
<b>8*</b>	Non-Locking Extended with Light
<b>9*</b>	Locking Extended with Light

\* Lights used with "AA" electrical connection

**3. ELECTRICAL CONNECTION (100 Serie type coil)**

- XX Y ZZ	ELECTRICAL CONNECTION
<b>AA</b>	Wiring box with 1/2" NPS conduit
<b>BA</b>	Flying leads
<b>CA</b>	1/2" NPS conduit
<b>CC</b>	1/2" NPT conduit
<b>FA</b>	Military type 2 PIN
<b>GA</b>	Military type 3 PIN
<b>HA</b>	AA with ground wire
<b>JA*</b>	Square connector
<b>JB</b>	Rectangular connector
<b>JC*</b>	Square connector with light
<b>JD</b>	Rectangular connector with light
<b>JE</b>	Square connector on top (ISO2, ISO3)
<b>JF</b>	Rectangular connector on top (ISO1, ISO2, ISO3)
<b>JG</b>	JE with light
<b>JH</b>	JF with light
<b>JJ</b>	Square connector, male only
<b>JM</b>	Rectangular connector, male only
<b>MA</b>	Electrical common conduit (100 Series-Manifold/900 Series)
<b>MB</b>	Electrical common conduit (100 Series-Stacking/700 Series)
<b>NA</b>	CA with ground wire
<b>NC</b>	CC with ground wire
<b>RA</b>	3/8" NPS conduit

\* Not to be used with 100, 800 and 900 Series manifold mounting

**3. ELECTRICAL CONNECTION (200 Serie type coil)**

- XX Y ZZ	ELECTRICAL CONNECTION
<b>AA</b>	Wiring box with 1/2" NPS conduit
<b>BA</b>	Flying leads
<b>CA</b>	1/2" NPS conduit
<b>CC</b>	1/2" NPT conduit
<b>EA</b>	Explosion proof (200 Series)
<b>EA</b>	Explosion proof (57, 58 & 59 Series)
<b>FA</b>	Military type 2 PIN
<b>GA</b>	Military type 3 PIN
<b>HA</b>	AA with ground wire
<b>JA*</b>	Square connector
<b>JC</b>	Square connector with light
<b>JJ</b>	Square connector, male only
<b>NA</b>	CA with ground wire
<b>NC</b>	CC with ground wire

**4. COIL WIRE LENGTH (Common options for 100 & 200 Serie type coils)**

<b>- XX Y ZZ (-VV)</b>	<b>WIRE LENGTH</b>
<b>AA</b>	18"
<b>AB</b>	24"
<b>AD</b>	36"
<b>AE</b>	48"
<b>AF</b>	72"
<b>AG</b>	6"
<b>AR</b>	12"
<b>AU</b>	120"
<b>BA</b>	60"
<b>BB</b>	144"
Series 6000 : wire length, from the base	
<b>MOD L024</b>	24"
<b>MOD L036</b>	36"
<b>MOD L048</b>	48"
<b>MOD L060</b>	60"
<b>MOD L072</b>	72"
<b>MOD L120</b>	120"