

Individual mounting

sub-base non "plug-in"	sub-base "plug-in"
------------------------	--------------------

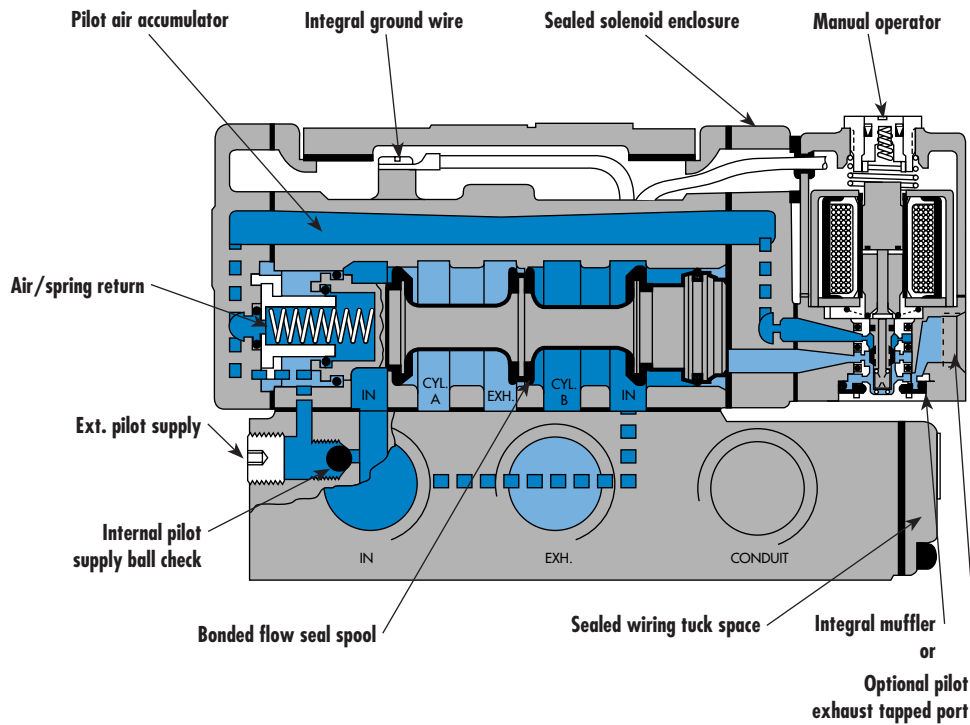
Series

Manifold mounting

sub-base non "plug-in"	sub-base "plug-in"
------------------------	--------------------

35

100



200

55

56

57

58

59

45

700

900

82

**SERIES FEATURES**

- The patented MACSOLENOID® with its non-burn out feature on AC service.
- A large checked accumulator for consistent shifting on single and double solenoid models.
- A plug-in design that provides for internal or external pilot with or without lights and all electrical and air plumbing in the base — the valve portion is the same.
- Non-lubricated or lubricated service.
- Optional low wattage DC solenoids down to 1 watt.
- Optional indicator lights, and various types of manual operators.
- Non plug-in or external plug-in models are available.

6300

**6500**

6600

1300

800

ISO 1

ISO 2

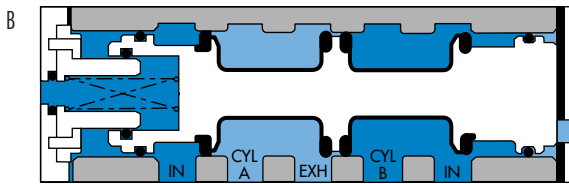
ISO 3

MAC 125A

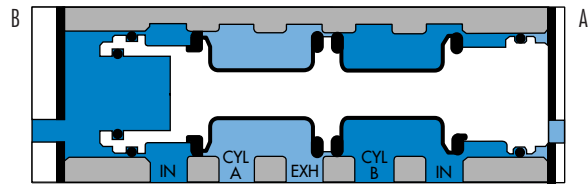
MAC 250A

MAC 500A

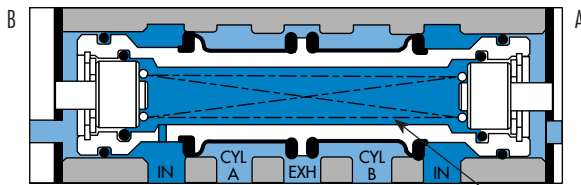
**SPOOL CONFIGURATIONS**



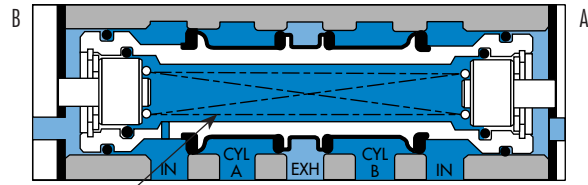
2 POS. SINGLE OPERATOR SPRING RETURN  
B ACTUATED SHOWN



2 POS. DOUBLE OPERATOR  
B ACTUATED SHOWN

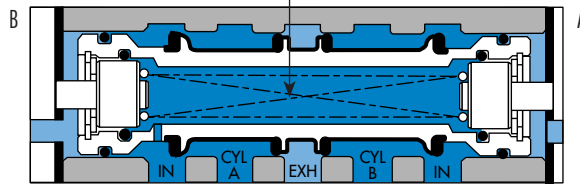


3 POS. OPEN CENTER  
CENTER POSITION SHOWN



3 POS. CLOSED CENTER  
CENTER POSITION SHOWN

AIR/SPRING  
CENTERING



3 POS. PRESSURE CENTER  
CENTER POSITION SHOWN

**VALVE CONFIGURATIONS AVAILABLE**

The versatile 6500 Series provides high flow, extremely fast response, and long life in a compact package and is available in the following configurations:

- 2-Pos., single or double operators (solenoid or remote air).
- 3-Pos., double operator-Closed Center, Open Center or Pressure Center (solenoid or remote air).
- Single pressure or dual pressure.
- Individual base or add-a-unit manifold base.
- Internal pilot or for Vacuum to 25 PSI main valve pressures, external pilot.
- Manual and mechanical operators available.

**REMOTE AIR PILOT OPERATED VALVES**

- A large checked accumulator for air/spring return on single remote air models.
- All piping connections, including the remote air pilot supply, in the base.
- Non-lubricated or lubricated service.

**REMOTE AIR PILOT, PILOT OPERATED VALVES**

These special air versions have the same features as the remote air pilot operated models, but additionally feature:

- A manual operator and indicator.
- Ability to use a pilot signal pressure different from the main valve pressure. Pilot signal can be from 20 to 150 PSIG, regardless of main valve pressure.

**ALL MODELS AVAILABLE WITH SANDWICH TYPE REGULATORS**

Function	Port size	Flow [Max]	Individual mounting	Series
<b>4/2 - 4/3</b>	<b>3/8" - 1/2" - 3/4"</b>	<b>5.1 C<sub>v</sub></b>	sub-base non "plug-in"	

### OPERATIONAL BENEFITS

- Balanced spool, immune to variations of pressure.
- Short stroke with high flow.
- High shifting forces.
- Checked accumulator guarantees maximum pilot pressure.
- Powerful return force thanks to the combination of mechanical and air springs.
- Bonded spool with minimum friction, shifting in a glass-like finished bore.
- Wiping effect eliminates sticking.
- Pilot valve with balanced poppet, high flow, short and consistent response times.

### HOW TO ORDER

Port size	Pilot air	4/2 Single operator	4/2 Double operator	4/3 Closed center	4/3 Open center	4/3 Pressure center
<b>Valve less base</b>		6512B-000-PM- <b>XXYYZZ</b>	6522B-000-PM- <b>XXYYZZ</b>	6532B-000-PM- <b>XXYYZZ</b>	6542B-000-PM- <b>XXYYZZ</b>	6552B-000-PM- <b>XXYYZZ</b>
<b>sub-base</b>	Internal	6512B-131-PM- <b>XXYYZZ</b>	6522B-131-PM- <b>XXYYZZ</b>	6532B-131-PM- <b>XXYYZZ</b>	6542B-131-PM- <b>XXYYZZ</b>	6552B-131-PM- <b>XXYYZZ</b>
<b>3/8" NPTF</b>	External	6512B-141-PM- <b>XXYYZZ</b>	6522B-141-PM- <b>XXYYZZ</b>	6532B-141-PM- <b>XXYYZZ</b>	6542B-141-PM- <b>XXYYZZ</b>	6552B-141-PM- <b>XXYYZZ</b>
<b>sub-base</b>	Internal	6512B-231-PM- <b>XXYYZZ</b>	6522B-231-PM- <b>XXYYZZ</b>	6532B-231-PM- <b>XXYYZZ</b>	6542B-231-PM- <b>XXYYZZ</b>	6552B-231-PM- <b>XXYYZZ</b>
<b>1/2" NPTF</b>	External	6512B-241-PM- <b>XXYYZZ</b>	6522B-241-PM- <b>XXYYZZ</b>	6532B-241-PM- <b>XXYYZZ</b>	6542B-241-PM- <b>XXYYZZ</b>	6552B-241-PM- <b>XXYYZZ</b>
<b>sub-base</b>	Internal	6512B-331-PM- <b>XXYYZZ</b>	6522B-331-PM- <b>XXYYZZ</b>	6532B-331-PM- <b>XXYYZZ</b>	6542B-331-PM- <b>XXYYZZ</b>	6552B-331-PM- <b>XXYYZZ</b>
<b>3/4" NPTF</b>	External	6512B-341-PM- <b>XXYYZZ</b>	6522B-341-PM- <b>XXYYZZ</b>	6532B-341-PM- <b>XXYYZZ</b>	6542B-341-PM- <b>XXYYZZ</b>	6552B-341-PM- <b>XXYYZZ</b>

Note : Above codes shown are for side ports.

### SOLENOID OPERATOR ►

XX Voltage		Y Manual operator	ZZ Electrical connection
11	120/60, 110/50	1 Non-locking	JB Rectangular connector
12	240/60, 220/50	2 Locking	JD Rectangular connector with light
22	24/60, 24/50		JA Square connector
59	24 VDC (2.5 W)		JC Square connector with light
87	24 VDC (17.1 W)		BA Flying leads (18")
61	24 VDC (8.5 W)		

\* Other options available, see page 357.

### OPTIONS

6512B-XXX-PM-**XXYYZZ**

- For piped pilot exhaust replace M by P.
- For dual pressure valve, replace by 4.

MODIFICATIONS		
MOD. N°	DESCRIPTION	MODEL AVAILABILITY
<b>0002</b>	Bottom inlet, exh. & cyl. ports (no side ports)	Available on individual base 3/8" & 1/2" only
<b>0004</b>	Full side porting and additional bottom inlet, exh. & cyl. ports	Available on individual base 3/8" only



35  
100  
200  
55  
56  
57  
58  
59

45  
700

900  
82

6300  
**6500**

Note : Photo shown with JC connector.

6600  
1300  
800

ISO 1  
ISO 2  
ISO 3  
MAC 125A  
MAC 250A  
MAC 500A

- Note :
- The valve less base is always the same for internal or external pilot. These options are effected in the base.
  - Bottom ports : Refer to modification table.
  - To order bases without the valve, choose the base from the above table, then add 6500B as a prefix. Example 6500B-131.

**TECHNICAL DATA**

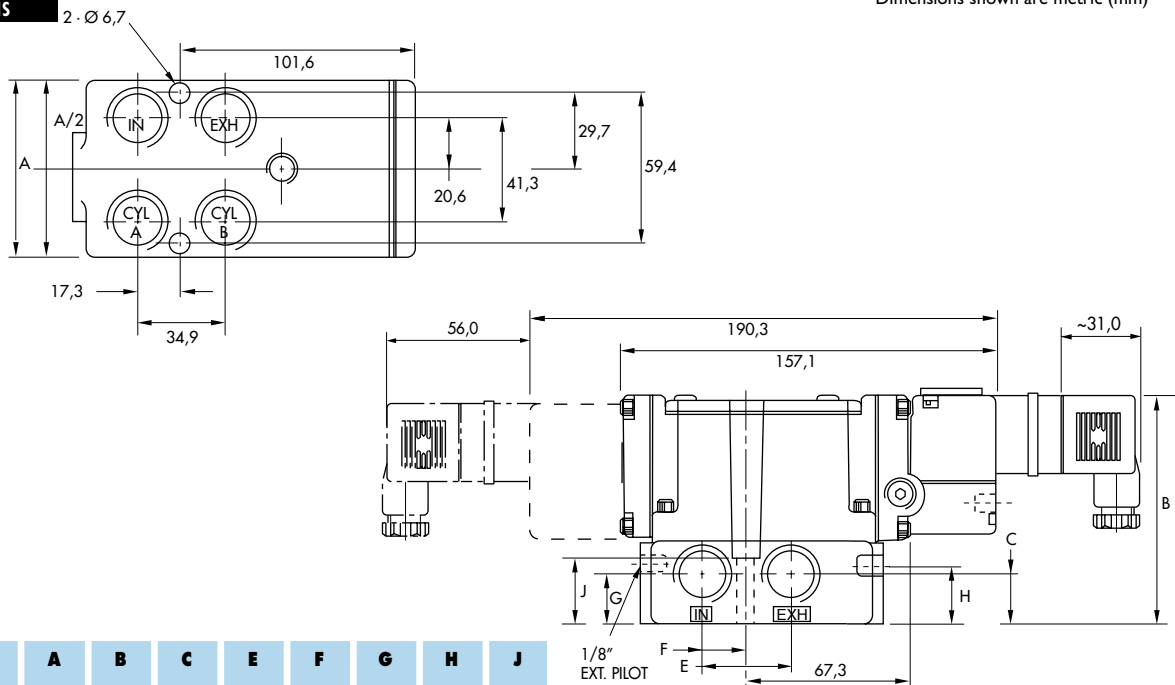
<b>Fluid :</b>	Compressed air, vacuum, inert gases		
<b>Pressure range :</b>	Internal pilot : single operator and 3 positions : 25-150 PSI	double operator : 10-150 PSI	
	External pilot : vacuum to 150 PSI		
<b>Pilot pressure :</b>	Single operator and 3 positions : 25-150 PSI Double operator : 10-150 PSI		
<b>Lubrication :</b>	Not required, if used select a medium aniline point lubricant (between 180°F to 210°F)		
<b>Filtration :</b>	40 µ		
<b>Temperature range :</b>	0°F to 120°F (-18°C to 50°C)		
<b>Flow (at 6 bar, ΔP=1bar) :</b>	3/8" : (4.5 C <sub>v</sub> ), 1/2" : (5.0 C <sub>v</sub> ), 3/4" : (5.1 C <sub>v</sub> )		
<b>Coil :</b>	Epoxy encapsulated - class A wires - Continuous duty		
<b>Voltage range :</b>	-15% to +10% of nominal voltage		
<b>Protection :</b>	Consult factory		
<b>Power :</b>	~ Inrush : 14.8 VA	Holding : 10.9 VA	
	= 1 to 17.1 W		
<b>Response times :</b>	24 VDC (8.5 W)	Energize : 12 ms	De-energize : 12 ms
	120/60	Energize : 9-14 ms	De-energize : 11-18 ms

Spare parts : Solenoid operator (power ≥ 4 W) : D1-XXAA, cover mounting screws 35206 and seal 16234.  
 • Pilot valve : PME-XXYZZ, including seal 16337. • Pressure seal between valve and base : 16246.  
 • Mounting screw valve to base (x4) : 32201.

Options : • BSPP threads.

**DIMENSIONS**

Dimensions shown are metric (mm)



Port size	A	B	C	E	F	G	H	J
<b>3/8" - 1/2"</b>	69.6	97.4	18.3	36.0	17.9	19.0	23.6	25.4
<b>3/4"</b>	94.5	109.3	17.3	40.1	19.2	20.8	35.9	36.6

Function	Port size	Flow [Max]	Individual mounting	Series
<b>4/2 - 4/3</b>	<b>3/8" - 1/2" - 3/4"</b>	<b>5.1 C<sub>v</sub></b>	sub-base "plug-in"	

**OPERATIONAL BENEFITS**

- Balanced spool, immune to variations of pressure.
- Short stroke with high flow.
- High shifting forces.
- Checked accumulator guarantees maximum pilot pressure.
- Powerful return force thanks to the combination of mechanical and air springs.
- Bonded spool with minimum friction, shifting in a glass-like finished bore.
- Wiping effect eliminates sticking.
- Pilot valve with balanced poppet, high flow, short and consistent response times.



35  
100  
200  
55  
56  
57  
58  
59

**HOW TO ORDER**

Port size	Pilot air	4/2 Single operator	4/2 Double operator	4/3 Closed center	4/3 Open center	4/3 Pressure center
<b>Valve less base</b>		6511B-000-PM- <b>XXY</b> DA	6521B-000-PM- <b>XXY</b> DA	6531B-000-PM- <b>XXY</b> DA	6541B-000-PM- <b>XXY</b> DA	6551B-000-PM- <b>XXY</b> DA
<b>sub-base</b>	Internal	6511B-111-PM- <b>XXY</b> DA	6521B-111-PM- <b>XXY</b> DA	6531B-111-PM- <b>XXY</b> DA	6541B-111-PM- <b>XXY</b> DA	6551B-111-PM- <b>XXY</b> DA
<b>3/8" NPTF</b>	External	6511B-121-PM- <b>XXY</b> DA	6521B-121-PM- <b>XXY</b> DA	6531B-121-PM- <b>XXY</b> DA	6541B-121-PM- <b>XXY</b> DA	6551B-121-PM- <b>XXY</b> DA
<b>sub-base</b>	Internal	6511B-211-PM- <b>XXY</b> DA	6521B-211-PM- <b>XXY</b> DA	6531B-211-PM- <b>XXY</b> DA	6541B-211-PM- <b>XXY</b> DA	6551B-211-PM- <b>XXY</b> DA
<b>1/2" NPTF</b>	External	6511B-221-PM- <b>XXY</b> DA	6521B-221-PM- <b>XXY</b> DA	6531B-221-PM- <b>XXY</b> DA	6541B-221-PM- <b>XXY</b> DA	6551B-221-PM- <b>XXY</b> DA
<b>sub-base</b>	Internal	6511B-311-PM- <b>XXY</b> DA	6521B-311-PM- <b>XXY</b> DA	6531B-311-PM- <b>XXY</b> DA	6541B-311-PM- <b>XXY</b> DA	6551B-311-PM- <b>XXY</b> DA
<b>3/4" NPTF</b>	External	6511B-321-PM- <b>XXY</b> DA	6521B-321-PM- <b>XXY</b> DA	6531B-321-PM- <b>XXY</b> DA	6541B-321-PM- <b>XXY</b> DA	6551B-321-PM- <b>XXY</b> DA

45  
700

Note : Above codes shown are for side ports without lights.

**SOLENOID OPERATOR** ➤

**XX Y DA\***

<b>XX Voltage</b>	<b>Y Manual operator</b>
<b>11</b> 120/60, 110/50	<b>1</b> Non-locking
<b>12</b> 240/60, 220/50	<b>2</b> Locking
<b>22</b> 24/60, 24/50	
<b>59</b> 24 VDC (2.5 W)	
<b>87</b> 24 VDC (17.1 W)	
<b>61</b> 24 VDC (8.5 W)	

900  
82  
6300

\* Other options available, see page 357.

**OPTIONS**

6511B-XXX-PM- <b>XXY</b> DA
- For piped pilot exhaust replace M by P.
- For dual pressure valve replace by 4 (no light), by 5 (sgl. light), by 6 (dbl. light).
- For lights on base, replace by 2 (sgl. light), by 3 (dbl. light).
- For lights on valve body, replace by 3.

**6500**  
6600  
1300  
800

<b>MODIFICATIONS</b>		
MOD. N°	DESCRIPTION	MODEL AVAILABILITY
<b>0002</b>	Bottom inlet, exh. & cyl. ports (no side ports)	Available on individual base 3/8" & 1/2" only
<b>0004</b>	Full side porting and additional bottom inlet, exh. & cyl. ports	Available on individual base 3/8" only

- Note :
- The valve less base is always the same for internal or external pilot. These options are effected in the base.
  - Bottom ports : Refer to modification table.
  - To order bases without the valve, choose the base from the above table, then add 6500B as a prefix. Example 6500B-111.

ISO 1  
ISO 2  
ISO 3  
MAC 125A  
MAC 250A  
MAC 500A

Consult "Precautions" page 364 before use, installation or service of MAC Valves

**TECHNICAL DATA**

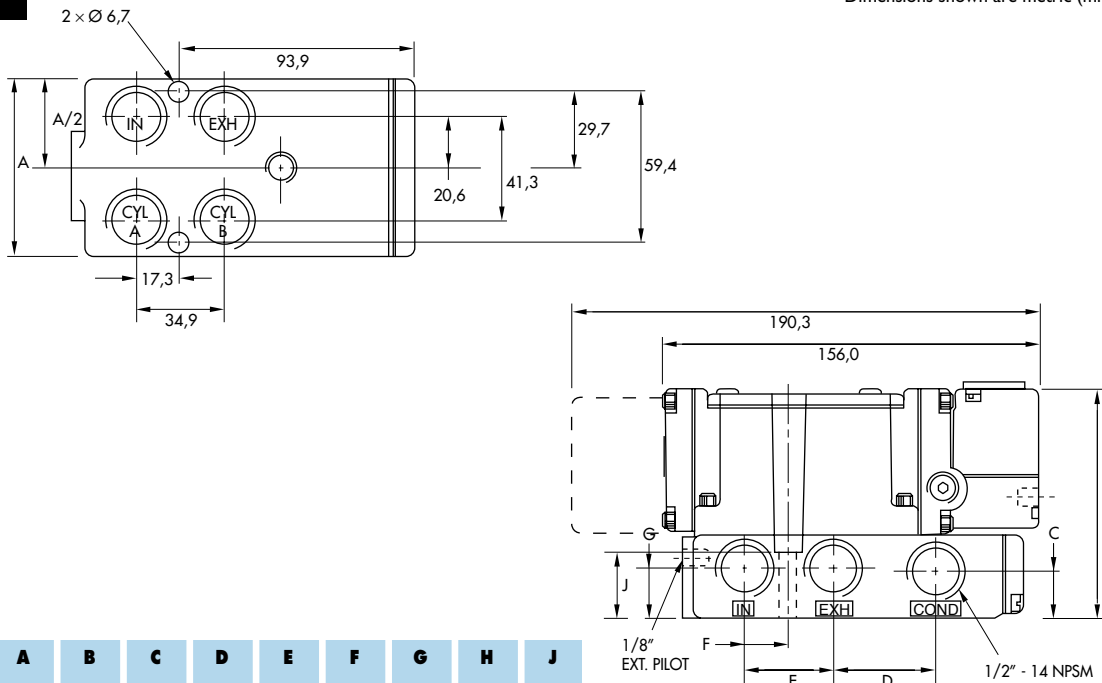
<b>Fluid :</b>	Compressed air, vacuum, inert gases		
<b>Pressure range :</b>	Internal pilot : single operator and 3 positions : 25-150 PSI	double operator : 10-150 PSI	
	External pilot : vacuum to 150 PSI		
<b>Pilot pressure :</b>	Single operator and 3 positions : 25-150 PSI Double operator : 10-150 PSI		
<b>Lubrication :</b>	Not required, if used select a medium aniline point lubricant (between 180°F to 210°F)		
<b>Filtration :</b>	40 µ		
<b>Temperature range :</b>	0°F to 120°F (-18°C to 50°C)		
<b>Flow (at 6 bar, ΔP=1bar) :</b>	3/8" : (4.5 C <sub>v</sub> ), 1/2" : (5.0 C <sub>v</sub> ), 3/4" : (5.1 C <sub>v</sub> )		
<b>Coil :</b>	Epoxy encapsulated - class A wires - Continuous duty		
<b>Voltage range :</b>	-15% to +10% of nominal voltage		
<b>Protection :</b>	Consult factory		
<b>Power :</b>	~ Inrush : 14.8 VA	Holding : 10.9 VA	
	= 1 to 17.1 W		
<b>Response times :</b>	24 VDC (8.5 W)	Energize : 12 ms	De-energize : 12 ms
	120/60	Energize : 9-14 ms	De-energize : 11-18 ms

- Spare parts :
- Solenoid operator (power ≥ 4 W) : D1-XXBE, cover mounting screws 35206 and seal 16234.
  - Pilot valve : PME-XXYDA-BE, including seal 16337. • Pressure seal between valve and base : 16246.
  - Mounting screw valve to base (x4) : 32201.

- Options :
- BSPP threads.

**DIMENSIONS**

Dimensions shown are metric (mm)



Port size	A	B	C	D	E	F	G	H	J
<b>3/8" - 1/2"</b>	69.6	97.4	18.3	40.6	36.0	17.9	19.0	23.6	25.4
<b>3/4"</b>	94.5	109.3	17.3	46.7	40.1	19.2	20.8	35.9	36.6

Function	Port size	Flow (Max)	Manifold mounting	Series
<b>4/2 - 4/3</b>	<b>3/8" - 1/2" - 3/4"</b>	<b>5.1 C<sub>v</sub></b>	sub-base non "plug-in"	

### OPERATIONAL BENEFITS

- Balanced spool, immune to variations of pressure.
- Short stroke with high flow.
- High shifting forces.
- Checked accumulator guarantees maximum pilot pressure.
- Powerful return force thanks to the combination of mechanical and air springs.
- Bonded spool with minimum friction, shifting in a glass-like finished bore.
- Wiping effect eliminates sticking.
- Pilot valve with balanced poppet, high flow, short and consistent response times.



35  
100  
200  
55  
56  
57  
58  
59

### HOW TO ORDER

Port size	Pilot air	4/2 Single operator	4/2 Double operator	4/3 Closed center	4/3 Open center	4/3 Pressure center
<b>Valve less base</b>		6512B-000-PM- <b>XXYYZZ</b>	6522B-000-PM- <b>XXYYZZ</b>	6532B-000-PM- <b>XXYYZZ</b>	6542B-000-PM- <b>XXYYZZ</b>	6552B-000-PM- <b>XXYYZZ</b>
<b>sub-base</b>	Internal	6512B-431-PM- <b>XXYYZZ</b>	6522B-431-PM- <b>XXYYZZ</b>	6532B-431-PM- <b>XXYYZZ</b>	6542B-431-PM- <b>XXYYZZ</b>	6552B-431-PM- <b>XXYYZZ</b>
<b>3/8" NPTF</b>	External	6512B-441-PM- <b>XXYYZZ</b>	6522B-441-PM- <b>XXYYZZ</b>	6532B-441-PM- <b>XXYYZZ</b>	6542B-441-PM- <b>XXYYZZ</b>	6552B-441-PM- <b>XXYYZZ</b>
<b>sub-base</b>	Internal	6512B-531-PM- <b>XXYYZZ</b>	6522B-531-PM- <b>XXYYZZ</b>	6532B-531-PM- <b>XXYYZZ</b>	6542B-531-PM- <b>XXYYZZ</b>	6552B-531-PM- <b>XXYYZZ</b>
<b>1/2" NPTF</b>	External	6512B-541-PM- <b>XXYYZZ</b>	6522B-541-PM- <b>XXYYZZ</b>	6532B-541-PM- <b>XXYYZZ</b>	6542B-541-PM- <b>XXYYZZ</b>	6552B-541-PM- <b>XXYYZZ</b>
<b>sub-base</b>	Internal	6512B-631-PM- <b>XXYYZZ</b>	6522B-631-PM- <b>XXYYZZ</b>	6532B-631-PM- <b>XXYYZZ</b>	6542B-631-PM- <b>XXYYZZ</b>	6552B-631-PM- <b>XXYYZZ</b>
<b>3/4" NPTF</b>	External	6512B-641-PM- <b>XXYYZZ</b>	6522B-641-PM- <b>XXYYZZ</b>	6532B-641-PM- <b>XXYYZZ</b>	6542B-641-PM- <b>XXYYZZ</b>	6552B-641-PM- <b>XXYYZZ</b>

Note : Above codes shown are for side cylinder ports.

### SOLENOID OPERATOR ►

**XX Y ZZ\***

XX Voltage	Y Manual operator	ZZ Electrical connection
<b>11</b> 120/60, 110/50	<b>1</b> Non-locking	<b>JB</b> Rectangular connector
<b>12</b> 240/60, 220/50	<b>2</b> Locking	<b>JD</b> Rectangular connector with light
<b>22</b> 24/60, 24/50		<b>JA</b> Square connector
<b>59</b> 24 VDC (2.5 W)		<b>JC</b> Square connector with light
<b>87</b> 24 VDC (17.1 W)		<b>BA</b> Flying leads (18")
<b>61</b> 24 VDC (8.5 W)		

Note : Photo shown with JC connector.

\* Other options available, see page 357.

### OPTIONS

6512B-XXX-PM-**XXYYZZ**

- For piped pilot exhaust replace M by P.
- For dual pressure valve, replace by 4.

MODIFICATIONS		
MOD. N°	DESCRIPTION	MODEL AVAILABILITY
<b>0112</b>	Side inlet & exhaust with bottom cyl. ports (No end cyl. ports)	Available on all manifold models
<b>0210</b>	Porting as ordered in model number plus an additional bottom inlet	Available on all manifold models
<b>0364</b>	Sgl. pressure — side inlet & exh. and additional bottom inlet with bottom cyl. ports (No end cyl. ports) DUAL PRESSURE — Same as sgl. pressure except with two bottom inlets.	Available on all manifold models

- Note :
- The valve less base is always the same for internal or external pilot. These options are effected in the manifold.
  - Bottom ports : Refer to modification table.
  - To order manifolds without the valve, choose the manifold from the above table, then add 6500B as a prefix. Example 6500B-431.

45  
700  
900  
82  
6300  
6500  
6600  
1300  
800  
ISO 1  
ISO 2  
ISO 3  
MAC 125A  
MAC 250A  
MAC 500A

**TECHNICAL DATA**

<b>Fluid :</b>	Compressed air, vacuum, inert gases		
<b>Pressure range :</b>	Internal pilot : single operator and 3 positions : 25-150 PSI		double operator : 10-150 PSI
	External pilot : vacuum to 150 PSI		
<b>Pilot pressure :</b>	Single operator and 3 positions : 25-150 PSI Double operator : 10-150 PSI		
<b>Lubrication :</b>	Not required, if used select a medium aniline point lubricant (between 180°F to 210°F)		
<b>Filtration :</b>	40 µ		
<b>Temperature range :</b>	0°F to 120°F (-18°C to 50°C)		
<b>Flow (at 6 bar, ΔP=1bar) :</b>	3/8" : (4.5 C <sub>v</sub> ), 1/2" : (5.0 C <sub>v</sub> ), 3/4" : (5.1 C <sub>v</sub> )		
<b>Coil :</b>	Epoxy encapsulated - class A wires - Continuous duty		
<b>Voltage range :</b>	-15% to +10% of nominal voltage		
<b>Protection :</b>	Consult factory		
<b>Power :</b>	~ Inrush : 14.8 VA Holding : 10.9 VA = 1 to 17.1 W		
<b>Response times :</b>	24 VDC (8.5 W)	Energize : 12 ms	De-energize : 12 ms
	120/60	Energize : 9-14 ms	De-energize : 11-18 ms

Spare parts :

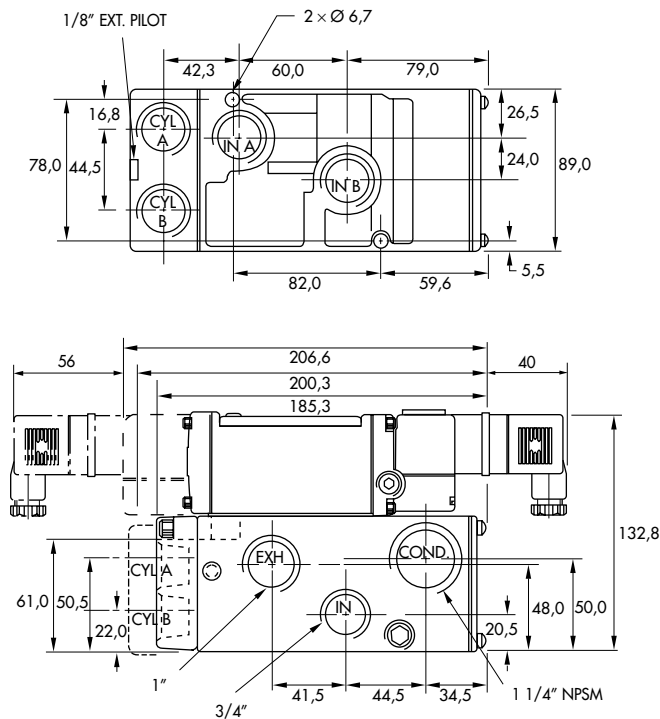
- Solenoid operator (power ≥ 4 W) : D1-XXAA, cover mounting screws 35206 and seal 16234.
- Pilot valve : PME-XXYZZ, including seal 16337. • Pressure seal between valve and base : 16246.
- Mounting screw valve to base (x4) : 32201. • Tie-rod (x2) : 19540. • Fastening kit : N-65002-01
- Inlet isolator : 28309. • Exhaust isolator : 28310. • Blank station cover plate : N-65009.

Options :

- BSPP threads.

**DIMENSIONS**

Dimensions shown are metric (mm)





Function	Port size	Flow [Max]	Manifold mounting	Series
<b>4/2 - 4/3</b>	<b>3/8" - 1/2" - 3/4"</b>	<b>5.1 C<sub>v</sub></b>	sub-base "plug-in"	

### OPERATIONAL BENEFITS

- Balanced spool, immune to variations of pressure.
- Short stroke with high flow.
- High shifting forces.
- Checked accumulator guarantees maximum pilot pressure.
- Powerful return force thanks to the combination of mechanical and air springs.
- Bonded spool with minimum friction, shifting in a glass-like finished bore.
- Wiping effect eliminates sticking.
- Pilot valve with balanced poppet, high flow, short and consistent response times.

### HOW TO ORDER

Port size	Pilot air	4/2 Single operator	4/2 Double operator	4/3 Closed center	4/3 Open center	4/3 Pressure center
<b>Valve less base</b>		6511B-000-PM- <b>XXY</b> DA	6521B-000-PM- <b>XXY</b> DA	6531B-000-PM- <b>XXY</b> DA	6541B-000-PM- <b>XXY</b> DA	6551B-000-PM- <b>XXY</b> DA
<b>sub-base</b>	Internal	6511B-411-PM- <b>XXY</b> DA	6521B-411-PM- <b>XXY</b> DA	6531B-411-PM- <b>XXY</b> DA	6541B-411-PM- <b>XXY</b> DA	6551B-411-PM- <b>XXY</b> DA
<b>3/8" NPTF</b>	External	6511B-421-PM- <b>XXY</b> DA	6521B-421-PM- <b>XXY</b> DA	6531B-421-PM- <b>XXY</b> DA	6541B-421-PM- <b>XXY</b> DA	6551B-421-PM- <b>XXY</b> DA
<b>sub-base</b>	Internal	6511B-511-PM- <b>XXY</b> DA	6521B-511-PM- <b>XXY</b> DA	6531B-511-PM- <b>XXY</b> DA	6541B-511-PM- <b>XXY</b> DA	6551B-511-PM- <b>XXY</b> DA
<b>1/2" NPTF</b>	External	6511B-521-PM- <b>XXY</b> DA	6521B-521-PM- <b>XXY</b> DA	6531B-521-PM- <b>XXY</b> DA	6541B-521-PM- <b>XXY</b> DA	6551B-521-PM- <b>XXY</b> DA
<b>sub-base</b>	Internal	6511B-611-PM- <b>XXY</b> DA	6521B-611-PM- <b>XXY</b> DA	6531B-611-PM- <b>XXY</b> DA	6541B-611-PM- <b>XXY</b> DA	6551B-611-PM- <b>XXY</b> DA
<b>3/4" NPTF</b>	External	6511B-621-PM- <b>XXY</b> DA	6521B-621-PM- <b>XXY</b> DA	6531B-621-PM- <b>XXY</b> DA	6541B-621-PM- <b>XXY</b> DA	6551B-621-PM- <b>XXY</b> DA

Note : Above codes shown are for side cylinder ports without lights.

### SOLENOID OPERATOR ▶

<b>XX Voltage</b>	<b>Y Manual operator</b>
<b>11</b> 120/60, 110/50	<b>1</b> Non-locking
<b>12</b> 240/60, 220/50	<b>2</b> Locking
<b>22</b> 24/60, 24/50	
<b>59</b> 24 VDC (2.5 W)	
<b>87</b> 24 VDC (17.1 W)	
<b>61</b> 24 VDC (8.5 W)	

\* Other options available, see page 357.

### OPTIONS

6511B-XXX-PM- <b>XXY</b> DA	- For piped pilot exhaust replace M by P.	- For dual pressure valve replace by 4 (no light), by 5 (sgl. light), by 6 (dbl. light).
	- For lights on valve body, replace by 3.	- For lights on manifold, replace by 2 (sgl. light), by 3 (dbl. light).

MOD. N°	DESCRIPTION	MODEL AVAILABILITY
<b>0112</b>	Side inlet & exhaust with bottom cyl. ports (No end cyl. ports)	Available on all manifold models
<b>0210</b>	Porting as ordered in model number plus an additional bottom inlet	Available on all manifold models
<b>0364</b>	Sgl. pressure — side inlet & exh. and additional bottom inlet with bottom cyl. ports (No end cyl. ports) DUAL PRESSURE — Same as sgl. pressure except with two bottom inlets.	Available on all manifold models

Note : 1. The valve less base is always the same for internal or external pilot. These options are effected in the manifold.  
2. Bottom ports : Refer to modification table.  
3. To order manifolds without the valve, choose the manifold from the above table, then add 6500B as a prefix. Example 6500B-411.



35

100

200

55

56

57

58

59

45

700

900

82

6300

**6500**

6600

1300

800

ISO 1

ISO 2

ISO 3

MAC 125A

MAC 250A

MAC 500A

**TECHNICAL DATA**

<b>Fluid :</b>	Compressed air, vacuum, inert gases		
<b>Pressure range :</b>	Internal pilot : single operator and 3 positions : 25-150 PSI		double operator : 10-150 PSI
	External pilot : vacuum to 150 PSI		
<b>Pilot pressure :</b>	Single operator and 3 positions : 25-150 PSI Double operator : 10-150 PSI		
<b>Lubrication :</b>	Not required, if used select a medium aniline point lubricant (between 180°F to 210°F)		
<b>Filtration :</b>	40 µ		
<b>Temperature range :</b>	0°F to 120°F (-18°C to 50°C)		
<b>Flow (at 6 bar, ΔP=1bar) :</b>	3/8" : (4.5 C <sub>v</sub> ), 1/2" : (5.0 C <sub>v</sub> ), 3/4" : (5.1 C <sub>v</sub> )		
<b>Coil :</b>	Epoxy encapsulated - class A wires - Continuous duty		
<b>Voltage range :</b>	-15% to +10% of nominal voltage		
<b>Protection :</b>	Consult factory		
<b>Power :</b>	~ Inrush : 14.8 VA      Holding : 10.9 VA = 1 to 17.1 W		
<b>Response times :</b>	24 VDC (8.5 W)	Energize : 12 ms	De-energize : 12 ms
	120/60	Energize : 9-14 ms	De-energize : 11-18 ms

Spare parts :

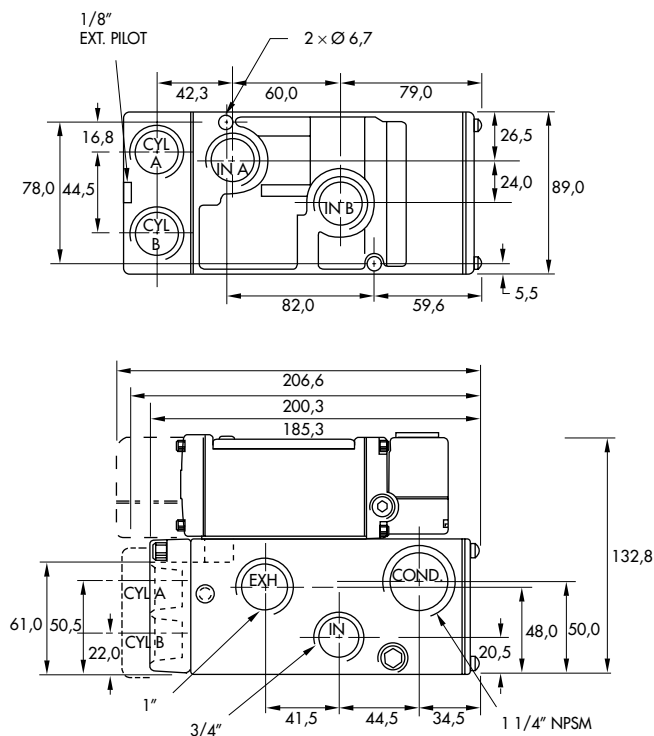
- Solenoid operator (power ≥ 4 W) : D1-XXBE, cover mounting screws 35206 and seal 16234.
- Pilot valve : PME-XXYDA-BE, including seal 16337. • Pressure seal between valve and base : 16246.
- Mounting screw valve to base (x4) : 32201. • Tie-rod (x2) : 19540. • Fastening kit : N-65002-01
- Inlet isolator : 28309. • Exhaust isolator : 28310. • Blank station cover plate : N-65009.

Options :

- BSPP threads.

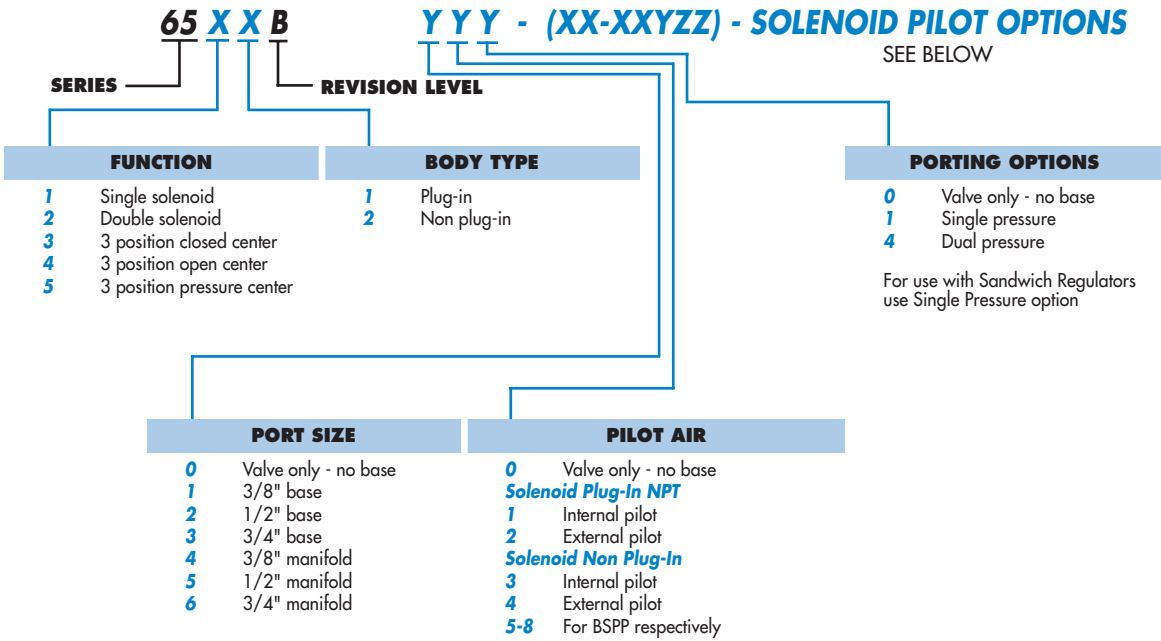
**DIMENSIONS**

Dimensions shown are metric (mm)

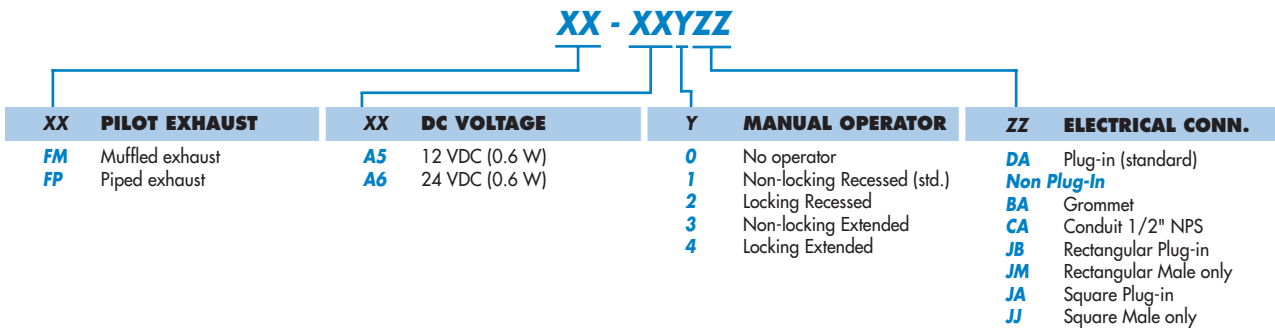


**HOW TO ORDER**

**BODY/BASE OPTIONS**



**PILOT VALVE OPTIONS**



**NOTE:** 1. The valve less base is always the same for internal or external pilot. These options are effected in the base or manifold.  
 2. Bottom ports: Refer to modification table below.  
 3. Manifold Accessories: Inlet Isolator #28309. Exhaust Isolator #28310.

**MODIFICATIONS**

MOD. NO.	DESCRIPTION	MODEL AVAILABILITY
0002	Bottom inlet, exhaust, & cylinder ports (no side ports)	Available on individual base 3/8" & 1/2" only
0004	Full side porting and additional bottom inlet, exhausts, and cylinder ports	Available on individual base 3/8" only
0112	Side inlet & exhaust with bottom cylinder ports (no end cylinder ports)	Available on all manifold models
0210	Porting as ordered in model number plus an additional bottom inlet	Available on all manifold models
0364	Single Pressure - Side inlet & exhaust and additional bottom inlet with bottom cylinder ports (no end cylinder ports) Dual Pressure - Same as single pressure except with two bottom inlets	Available on all manifold models

**Codification table for voltages / Manual operator / Electrical connection / Wire length**

VALVE CODE ► **- XX Y ZZ (-VV)**  
**1 2 3 4**

OPTIONS AVAILABLE FOR	OPTIONS AVAILABLE FOR
<ul style="list-style-type: none"> <li>- valves type 100 Series</li> <li>- pilot valves "CNOMO"</li> </ul>	<ul style="list-style-type: none"> <li>- valves type 200 Series</li> </ul>
<ul style="list-style-type: none"> <li>- Pilot operated valves with pilots type 100 Series</li> <li>Series : 55 - 56 - 700 - 800 - 900</li> <li style="padding-left: 20px;">- 6300 - 6500 - 6600 - 1300</li> <li style="padding-left: 20px;">- ISO 1 - ISO 2 - ISO 3.</li> <li style="padding-left: 20px;">- MAC 125 - MAC 250 - MAC 500</li> </ul>	<ul style="list-style-type: none"> <li>- pilot operated valves with pilots type 200 Series</li> <li>Series : 200 - 57 - 58 - 59.</li> </ul>
<ul style="list-style-type: none"> <li>- Pilot operated valves with pilots "CNOMO"</li> <li>Series : ISO1 - ISO2 - ISO3</li> </ul>	

Used on valve series: 100, 55, 56, 700, 800, 900, 6300, 6500, 6600, 1300, MVA1C, MVA2B, MVA3B, MAC125, MAC250, MAC500.

Used on valve series: 200, 57, 58, 59.

1. VOLTAGE (100 Serie type coil)		1. VOLTAGE (200 Serie type coil)	
- XX Y ZZ	VOLTAGE	- XX Y ZZ	VOLTAGE
11	120/60, 110/50	11	120/60, 110/50, 24 VDC (6 W)
12	240/60, 220/50	12	240/60, 220/50
13	100/60, 100/50	13	100/60, 100/50
15	200/60, 200 /50	14	200/60, 200/50
16	10/60	20	6/60
20	6/60	21	12/60
21	12/50, 12/60	22	24/60, 24/50
22	24/60, 24/50	23	32/60, 32/50
23	32/60, 32/50	24	48/60, 42/50
24	48/60, 42/50	25	240/50
26*	380/50, 440/50, 440/60, 480/60	26	480/60, 440/50
29	220/60	27	127/60
34	127/50, 120/50	28	415/50
35	48/50	29	220/60
36	16/60	30	380/50
B1	24/50	31	550/60, 550/50
50	24 VDC (6 W)	32	120/60, 110/50
51	24 VDC (4 W)	33	600/60
54	12 VDC (4 W)	34	127/50
55	12 VDC (6 W)	35	48/50
57	12 VDC (2.5 W)	50	24 VDC (6 W)
59	24 VDC (2.5 W)	51	24 VDC (4.5 W)
60	12 VDC (8.5 W)	52	24 VDC (2.5 W)
61	24 VDC (8.5 W)	53	24 VDC (1.0 W)
64	6 VDC (6 W)	55	12 VDC (6 W)
65	32 VDC (7 W)	57	12 VDC (2.5 W)
66	48 VDC (5.8 W)	58	48 VDC (2.5 W)
67	64 VDC (7.5 W)	60	12 VDC (9.5 W)
68	120 VDC (6.4 W)	61	24 VDC (8.5 W)
69*	220 VDC (8.7 W), 250 VDC (11.2 W)	64	6 VDC (8.5 W)
75	90 VDC (8.8 W)	65	32 VDC (10 W)
76*	100 VDC (6.9 W)	66	48 VDC (11.5 W)
84*	125 VDC (10.9 W)	67	64 VDC (10.5 W)
87*	24 VDC (17.1 W)	68	120 VDC (12.3 W)
88*	12 VDC (17.4 W)	69	250 VDC (9.2 W)
89*	36 VDC (18.8 W)	71	8 VDC (8.2 W)
90	28 VDC (8.2 W)	72	24 VDC (12 W)
91*	6 VDC (10.6 W)	73	198 VDC (10 W)
92	190 VDC (6.5 W)	74	72 VDC (11.3 W)
94	3 VDC (7 W)	75	90 VDC (11.3 W)
95	38 VDC (6.4 W)	76	100 VDC (9 W)
A1	24 VDC (1 W)	77	220 VDC (10 W), 230 VDC (11.6 W)
A2	12 VDC (1 W)	78*	24 VDC (24 W)
A3	9 VDC (1 W)	80	55 VDC (10.6 W)
		82	170 VDC (11.1 W)
		83	15 VDC (8.1 W)
		84	125 VDC (10 W)
		86	36 VDC (11 W)
		93*	12 VDC (24 W)

MOD. DD01 : Protection diode (DC) - MAX. 8.5W

MOD. MOV1 : Protection varistor (AC) - MAX. 8.5W

\* Voltages are CLSF only

**2. MANUAL OPERATOR (Common options for 100 & 200 Series type coils)**

- XX Y ZZ	MANUAL OPERATOR
<b>0</b>	No operator
<b>1</b>	Non-locking recessed
<b>2</b>	Locking recessed
<b>3</b>	Non-locking extended
<b>4</b>	Locking extended

<b>5*</b>	No Operator with Light
<b>6*</b>	Non-Locking Recessed with Light
<b>7*</b>	Locking Recessed with Light
<b>8*</b>	Non-Locking Extended with Light
<b>9*</b>	Locking Extended with Light

\* Lights used with "AA" electrical connection

**3. ELECTRICAL CONNECTION (100 Serie type coil)**

- XX Y ZZ	ELECTRICAL CONNECTION
<b>AA</b>	Wiring box with 1/2" NPS conduit
<b>BA</b>	Flying leads
<b>CA</b>	1/2" NPS conduit
<b>CC</b>	1/2" NPT conduit
<b>FA</b>	Military type 2 PIN
<b>GA</b>	Military type 3 PIN
<b>HA</b>	AA with ground wire
<b>JA*</b>	Square connector
<b>JB</b>	Rectangular connector
<b>JC*</b>	Square connector with light
<b>JD</b>	Rectangular connector with light
<b>JE</b>	Square connector on top (ISO2, ISO3)
<b>JF</b>	Rectangular connector on top (ISO1, ISO2, ISO3)
<b>JG</b>	JE with light
<b>JH</b>	JF with light
<b>JJ</b>	Square connector, male only
<b>JM</b>	Rectangular connector, male only
<b>MA</b>	Electrical common conduit (100 Series-Manifold/900 Series)
<b>MB</b>	Electrical common conduit (100 Series-Stacking/700 Series)
<b>NA</b>	CA with ground wire
<b>NC</b>	CC with ground wire
<b>RA</b>	3/8" NPS conduit

\* Not to be used with 100, 800 and 900 Series manifold mounting

**3. ELECTRICAL CONNECTION (200 Serie type coil)**

- XX Y ZZ	ELECTRICAL CONNECTION
<b>AA</b>	Wiring box with 1/2" NPS conduit
<b>BA</b>	Flying leads
<b>CA</b>	1/2" NPS conduit
<b>CC</b>	1/2" NPT conduit
<b>EA</b>	Explosion proof (200 Series)
<b>EA</b>	Explosion proof (57, 58 & 59 Series)
<b>FA</b>	Military type 2 PIN
<b>GA</b>	Military type 3 PIN
<b>HA</b>	AA with ground wire
<b>JA*</b>	Square connector
<b>JC</b>	Square connector with light
<b>JJ</b>	Square connector, male only
<b>NA</b>	CA with ground wire
<b>NC</b>	CC with ground wire

**4. COIL WIRE LENGTH (Common options for 100 & 200 Serie type coils)**

<b>- XX Y ZZ (-VV)</b>	<b>WIRE LENGTH</b>
<b>AA</b>	18"
<b>AB</b>	24"
<b>AD</b>	36"
<b>AE</b>	48"
<b>AF</b>	72"
<b>AG</b>	6"
<b>AR</b>	12"
<b>AU</b>	120"
<b>BA</b>	60"
<b>BB</b>	144"
Series 6000 : wire length, from the base	
<b>MOD L024</b>	24"
<b>MOD L036</b>	36"
<b>MOD L048</b>	48"
<b>MOD L060</b>	60"
<b>MOD L072</b>	72"
<b>MOD L120</b>	120"