

Individual mounting

sub-base
non "plug-in"

sub-base
"plug-in"

Series

Manifold mounting

sub-base
non "plug-in"

sub-base
"plug-in"

35

100

200

55

56

57

58

59

45

700

900

82

6300

6500

6600

1300

800

ISO 1

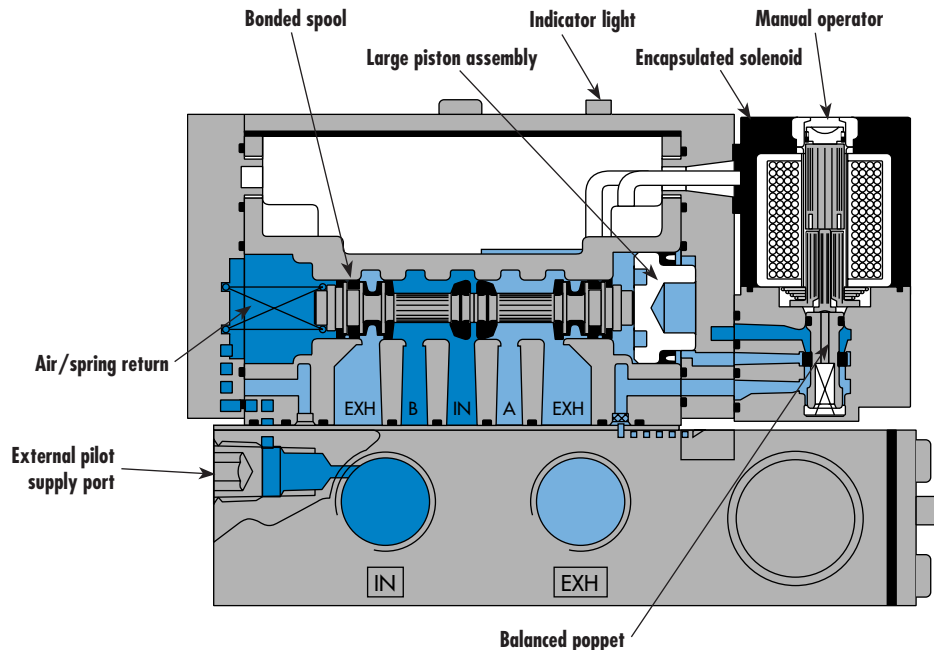
ISO 2

ISO 3

MAC 125A

MAC 250A

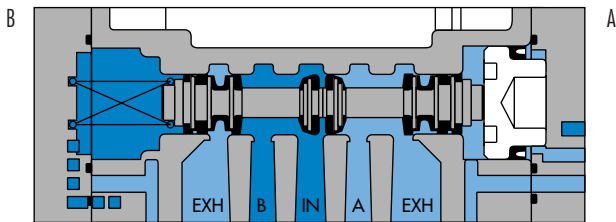
MAC 500A



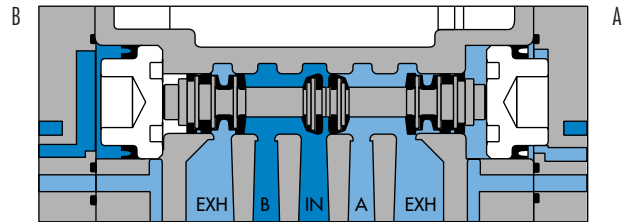
SERIES FEATURES

- Unique patented MACSOLENOID® for fastest possible response times.
- Balanced poppet pilot valve for high flow, precise repeatability, and consistent operation.
- Large spool piston for maximum shifting force even at minimum operating pressure.
- Air/spring return for consistent shifting on single solenoid models.
- MAC spool and bore combination for wiping away contamination, eliminating sticking, and use on non-lube service.
- Patented virtually burn-out proof AC solenoid.
- Plug-in design of valves, bases, flow controls, and regulators for modular assembly and ease of maintenance.
- Optional low wattage DC solenoids down to 1.8 watts.
- Indicator lights in valve body or base and non-plug-in models available.
- Very high flow in a very compact package.

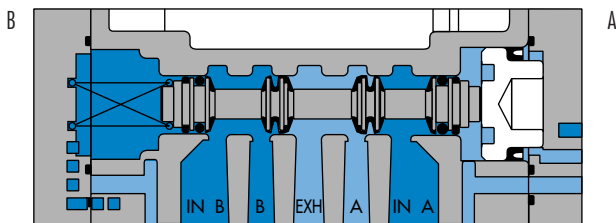
SPOOL CONFIGURATIONS



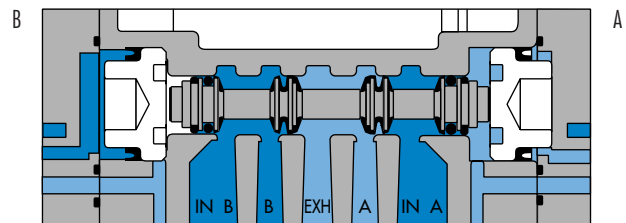
SINGLE OPERATOR
SINGLE INLET - DUAL EXHAUST
SHOWN WITH "B" OPERATOR ENERGIZED



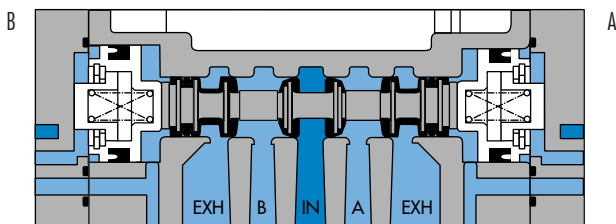
DOUBLE OPERATOR
SINGLE INLET - DUAL EXHAUST
SHOWN WITH "B" OPERATOR ENERGIZED



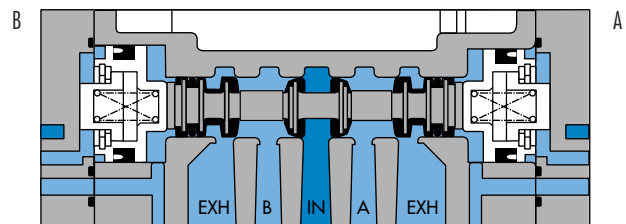
SINGLE OPERATOR
DUAL INLET - SINGLE EXHAUST
SHOWN WITH "B" OPERATOR ENERGIZED



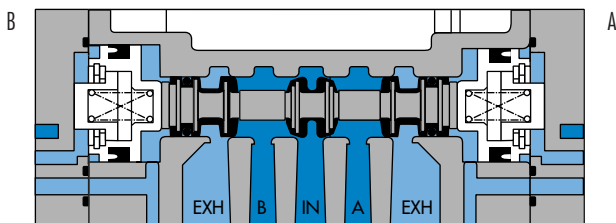
DOUBLE OPERATOR
DUAL INLET - SINGLE EXHAUST
SHOWN WITH "B" OPERATOR ENERGIZED



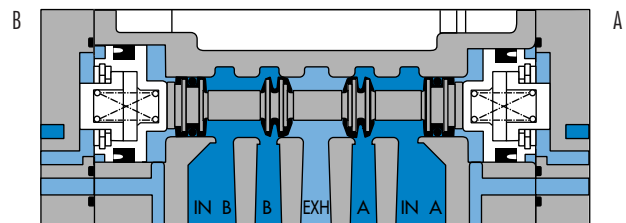
3 POSITION CLOSED CENTER



3 POSITION OPEN CENTER



3 POSITION SINGLE PRESSURE
PRESSURE CENTER

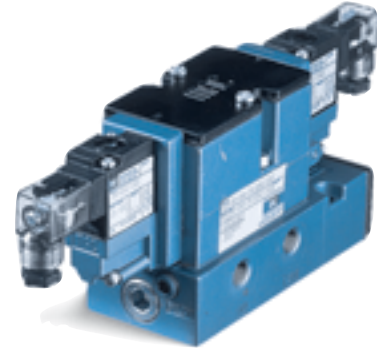


3 POSITION DUAL PRESSURE
PRESSURE CENTER

Function	Port size	Flow [Max]	Individual mounting	Series
4/2 - 4/3	1/8" - 1/4" - 3/8"	1.35 C_v	sub-base non "plug-in"	

OPERATIONAL BENEFITS

- Balanced spool, immune to variations of pressure.
- Short stroke with high flow.
- The piston (booster) provides maximum shifting forces.
- Powerful return force thanks to the combination of mechanical and air springs.
- Bonded spool with minimum friction, shifting in a glass-like finished bore.
- Wiping effect eliminates sticking.
- Pilot valve with balanced poppet, high flow, short and consistent response times.
- Long service life.



35
100
200
55
56
57
58
59

HOW TO ORDER

Port size	Pilot air	4/2 Single operator	4/2 Double operator	4/3 Closed center	4/3 Open center	4/3 Pressure center
Valve less base		82A-AB-000-TM-Dxxx-xxx	82A-BB-000-TM-Dxxx-xxx	82A-EB-000-TM-Dxxx-xxx	82A-FB-000-TM-Dxxx-xxx	82A-GB-000-TM-Dxxx-xxx
sub-base	Internal	82A-AB-AAA-TM-Dxxx-xxx	82A-BB-AAA-TM-Dxxx-xxx	82A-EB-AAA-TM-Dxxx-xxx	82A-FB-AAA-TM-Dxxx-xxx	82A-GB-AAA-TM-Dxxx-xxx
1/8" NPTF	External	82A-AB-AAD-TM-Dxxx-xxx	82A-BB-AAD-TM-Dxxx-xxx	82A-EB-AAD-TM-Dxxx-xxx	82A-FB-AAD-TM-Dxxx-xxx	82A-GB-AAD-TM-Dxxx-xxx
sub-base	Internal	82A-AB-BAA-TM-Dxxx-xxx	82A-BB-BAA-TM-Dxxx-xxx	82A-EB-BAA-TM-Dxxx-xxx	82A-FB-BAA-TM-Dxxx-xxx	82A-GB-BAA-TM-Dxxx-xxx
1/4" NPTF	External	82A-AB-BAD-TM-Dxxx-xxx	82A-BB-BAD-TM-Dxxx-xxx	82A-EB-BAD-TM-Dxxx-xxx	82A-FB-BAD-TM-Dxxx-xxx	82A-GB-BAD-TM-Dxxx-xxx
sub-base	Internal	82A-AB-CAA-TM-Dxxx-xxx	82A-BB-CAA-TM-Dxxx-xxx	82A-EB-CAA-TM-Dxxx-xxx	82A-FB-CAA-TM-Dxxx-xxx	82A-GB-CAA-TM-Dxxx-xxx
3/8" NPTF	External	82A-AB-CAD-TM-Dxxx-xxx	82A-BB-CAD-TM-Dxxx-xxx	82A-EB-CAD-TM-Dxxx-xxx	82A-FB-CAD-TM-Dxxx-xxx	82A-GB-CAD-TM-Dxxx-xxx

45
700
900

SOLENOID OPERATOR ▶

D **XX X- X XX***

XX Voltage	X Wire length	X Manual operator	XX Electrical connection
AA 120/60, 110/50	A 18" (Flying leads)	1 Non-locking	KA Square connector
AB 240/60, 220/50	J Connector	2 Locking	KD Square connector with light
AC 24/60, 24/50			JB Rectangular connector
FB 24 VDC (1.8 W)			JD Rectangular connector with light
DA 24 VDC (5.4 W)			BA Flying leads
DF 24 VDC (12.7 W)			

Note : KD connector shown in photo.

* Other options available, see page 361.

OPTIONS

82A-AB-000-TM-Dxxx-xxx

- For dual pressure valves, replace A by C, B by D, E by M, F by L, G by H. (Requires sandwich regulator, see pressure regulator section.)

82A-AB-000-TM-Dxxx-xxx

- TP (Piped pilot exhaust)
- For pilot exhaust out main exhaust, replace B by E. Also, TM pilot body is replaced by TU pilot body.
- Main exhaust cannot be restricted. Available only on single pressure valves.

82A-XX-BAA-TM-Dxxx-xxx

- Replace A by B for bottom ports (1/8" or 1/4" only)
- Replace A by C for side and bottom ports (1/8" or 1/4" only)

82

6300

6500

6600

1300

800

ISO 1

ISO 2

ISO 3

MAC 125A

MAC 250A

MAC 500A

TECHNICAL DATA

Fluid :	Compressed air, vacuum, inert gases		
Pressure range :	Internal pilot : single operator and 3 positions : 25-150 PSI	double operator : 10-150 PSI	
	External pilot : vacuum to 150 PSI		
Pilot pressure :	Single operator and 3 positions : 25-150 PSI Double operator : 10-150 PSI		
Lubrication :	Not required, if used select a medium aniline point lubricant (between 180°F to 210°F)		
Filtration :	40 μ		
Temperature range :	0°F to 120°F (-18°C to 50°C)		
Flow (at 6 bar, ΔP=1bar) :	1/8" : (0.9 C _v), 1/4" : (1.3 C _v), 3/8" : (1.35 C _v)		
Coil :	Epoxy encapsulated - class A wires - Continuous duty.		
Voltage range :	-15% to +10% of nominal voltage		
Protection :	Consult factory		
Power :	~ Inrush : 10.9 VA	Holding : 7.7 VA	
	= 1.8 to 12.7 W		
Response times :	24 VDC (5.4 W)	Energize : 9 ms	De-energize : 6 ms
	120/60	Energize : 5-12 ms	De-energize : 6-13 ms

Spare parts :

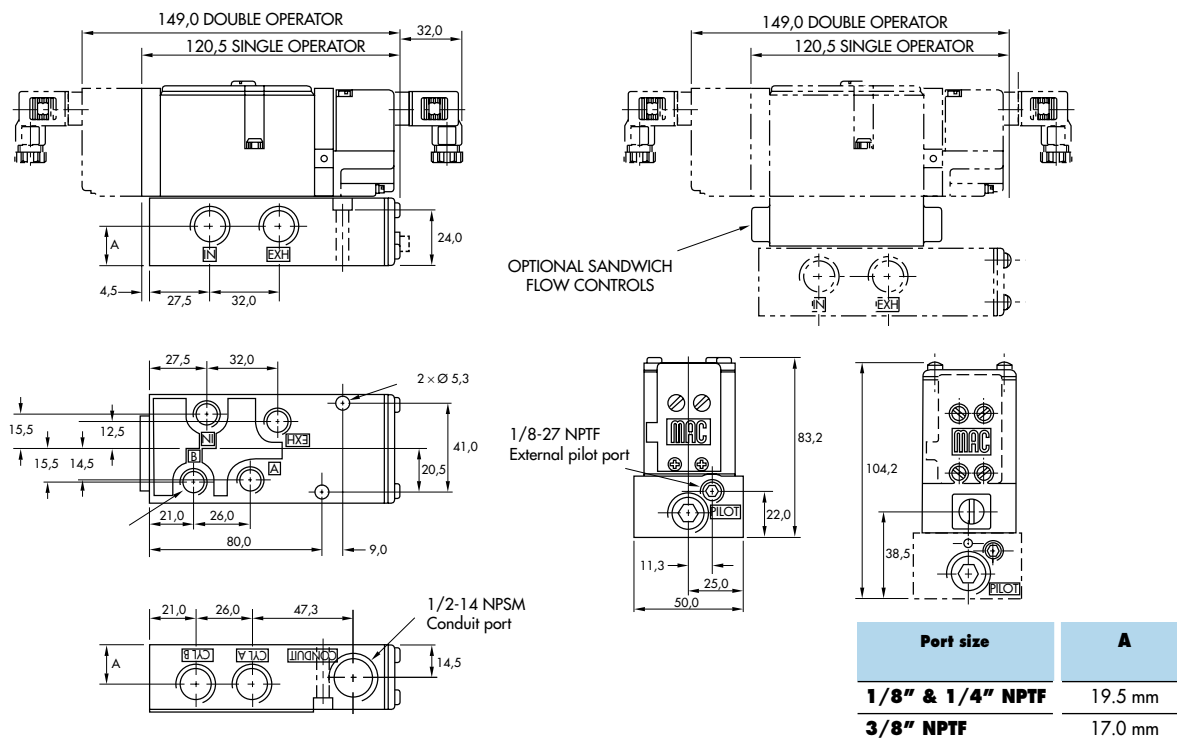
- Solenoid operator (power ≥ 5.4 W) : DXXX-XXX, including mounting screws 35013.
- Seal between solenoid and pilot body : 16402. • Pilot valve : TM-DXXX-XXX, including seal 16447.
- Mounting screw pilot to main valve : 35023. • Pressure seal between valve and base : 16446.
- Mounting screw valve to base (x2) : 35211.

Options :

- BSPP threads. • Flow controls (Part N° : FC82A-BA) • Explosion-proof model.

DIMENSIONS

Dimensions shown are metric (mm)



Function	Port size	Flow [Max]	Individual mounting	Series
4/2 - 4/3	1/8" - 1/4" - 3/8"	1.35 C_v	sub-base "plug-in"	

OPERATIONAL BENEFITS

- Balanced spool, immune to variations of pressure.
- Short stroke with high flow.
- The piston (booster) provides maximum shifting forces.
- Powerful return force thanks to the combination of mechanical and air springs.
- Bonded spool with minimum friction, shifting in a glass-like finished bore.
- Wiping effect eliminates sticking.
- Pilot valve with balanced poppet, high flow, short and consistent response times.
- Long service life.



35
100
200
55
56
57
58
59

HOW TO ORDER

Port size	Pilot air	4/2 Single operator	4/2 Double operator	4/3 Closed center	4/3 Open center	4/3 Pressure center
Valve less base		82A-AA-000-TM-DxxP-xDA	82A-BA-000-TM-DxxP-xDA	82A-EA-000-TM-DxxP-xDA	82A-FA-000-TM-DxxP-xDA	82A-GA-000-TM-DxxP-xDA
sub-base	Internal	82A-AA-AAA-TM-DxxP-xDA	82A-BA-AAA-TM-DxxP-xDA	82A-EA-AAA-TM-DxxP-xDA	82A-FA-AAA-TM-DxxP-xDA	82A-GA-AAA-TM-DxxP-xDA
1/8" NPTF	External	82A-AA-AAD-TM-DxxP-xDA	82A-BA-AAD-TM-DxxP-xDA	82A-EA-AAD-TM-DxxP-xDA	82A-FA-AAD-TM-DxxP-xDA	82A-GA-AAD-TM-DxxP-xDA
sub-base	Internal	82A-AA-BAA-TM-DxxP-xDA	82A-BA-BAA-TM-DxxP-xDA	82A-EA-BAA-TM-DxxP-xDA	82A-FA-BAA-TM-DxxP-xDA	82A-GA-BAA-TM-DxxP-xDA
1/4" NPTF	External	82A-AA-BAD-TM-DxxP-xDA	82A-BA-BAD-TM-DxxP-xDA	82A-EA-BAD-TM-DxxP-xDA	82A-FA-BAD-TM-DxxP-xDA	82A-GA-BAD-TM-DxxP-xDA
sub-base	Internal	82A-AA-CAA-TM-DxxP-xDA	82A-BA-CAA-TM-DxxP-xDA	82A-EA-CAA-TM-DxxP-xDA	82A-FA-CAA-TM-DxxP-xDA	82A-GA-CAA-TM-DxxP-xDA
3/8" NPTF	External	82A-AA-CAD-TM-DxxP-xDA	82A-BA-CAD-TM-DxxP-xDA	82A-EA-CAD-TM-DxxP-xDA	82A-FA-CAD-TM-DxxP-xDA	82A-GA-CAD-TM-DxxP-xDA

45
700
900

SOLENOID OPERATOR ▶

D **XX** P- **X** DA*

XX Voltage	X Manual operator
AA 120/60, 110/50	1 Non-locking
AB 240/60, 220/50	2 Locking
AC 24/60, 24/50	
FB 24 VDC (1.8 W)	
DA 24 VDC (5.4 W)	
DF 24 VDC (12.7 W)	

* Other options available, see page 361.

OPTIONS

82A-AA-000-TM-DxxP-xDA

- For light in body replace A by C.
- For pilot exhaust out main exhaust replace A by D. For light replace A by F. Use TU pilot body for pilot exhaust to main exhaust, main exhaust cannot be restricted (NO flow controls) available with single pressure valve only. TU replaces TM.
- For piped pilot exhaust replace TM by TP.
- For dual pressure valves, replace A by C, B by D, E by M, F by L, G by H. (Requires sandwich regulator - see pressure regulator section)

82A-AA-BAA-TM-DxxP-xDA

- Replace A by B for bottom ports (1/8" or 1/4" only)
- Replace A by C for side and bottom ports (1/8" or 1/4" only)

82
6300
6500
6600
1300
800
ISO 1
ISO 2
ISO 3
MAC 125A
MAC 250A
MAC 500A

TECHNICAL DATA

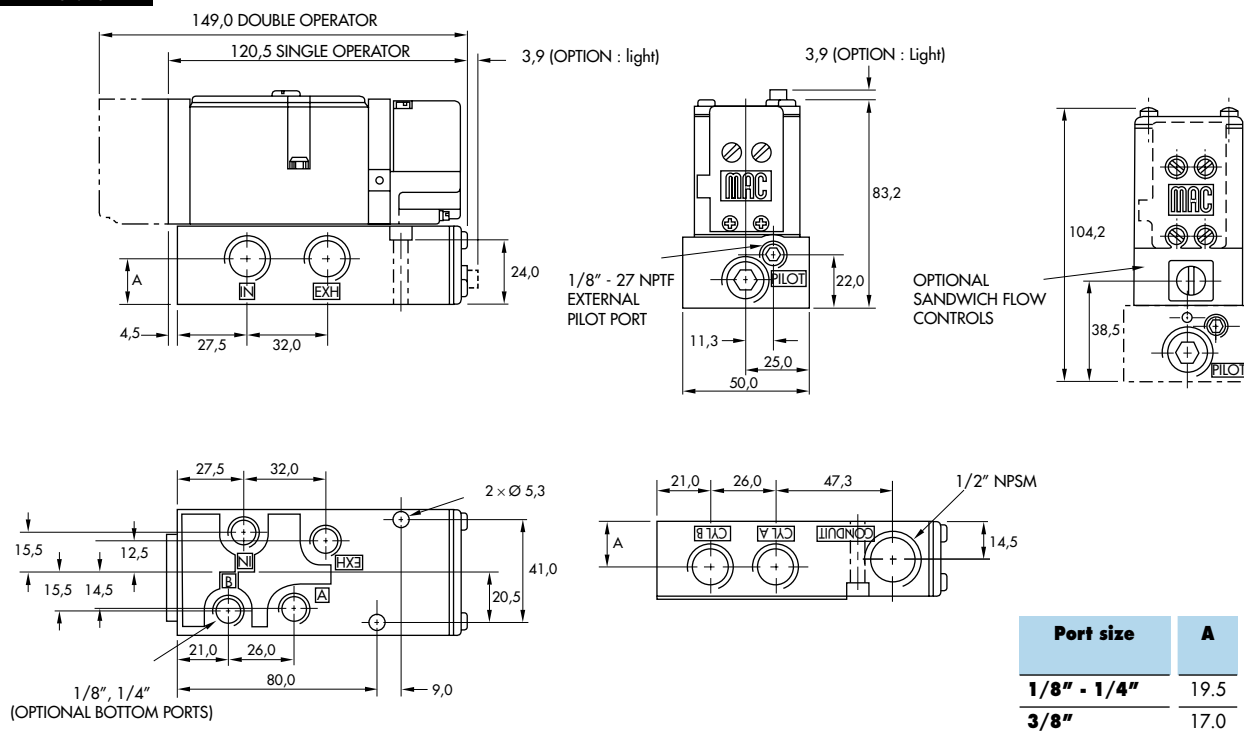
Fluid :	Compressed air, vacuum, inert gases		
Pressure range :	Internal pilot : single operator and 3 positions : 25-150 PSI	double operator : 10-150 PSI	
	External pilot : vacuum to 150 PSI		
Pilot pressure :	Single operator and 3 positions : 25-150 PSI Double operator : 10-150 PSI		
Lubrication :	Not required, if used select a medium aniline point lubricant (between 180°F to 210°F)		
Filtration :	40 µ		
Temperature range :	0°F to 120°F (-18°C to 50°C)		
Flow (at 6 bar, ΔP=1bar) :	1/8" : (0.9 C _v), 1/4" (1.3 C _v), 3/8" : (1.35 C _v)		
Coil :	Epoxy encapsulated - class A wires - Continuous duty.		
Voltage range :	-15% to +10% of nominal voltage		
Protection :	Consult factory		
Power :	~ Inrush : 10.9 VA Holding : 7.7 VA = 1.8 to 12.7 W		
Response times :	24 VDC (5.4 W)	Energize : 9 ms	De-energize : 6 ms
	120/60	Energize : 5-12 ms	De-energize : 6-13 ms

Spare parts : • Solenoid operator (power ≥ 5.4 W) : DXXP-XDA, including mounting screws 35013. • Seal between solenoid and pilot body : 16402.
• Pilot valve : TM-DXXP-XDA, including seal 16447. • Mounting screw pilot to main valve : 35023. • Pressure seal between valve and base : 16446.
• Mounting screw valve to base (x2) : 35211.

Options : • BSPP threads. • Flow controls (Part N°. FC82A-AA) • Explosion-proof model. • Lights in base.

DIMENSIONS

Dimensions shown are metric (mm)



Function	Port size	Flow [Max]	Manifold mounting	Series
4/2 - 4/3	1/4" - 3/8"	1.35 C_v	sub-base non "plug-in"	

OPERATIONAL BENEFITS

- Balanced spool, immune to variations of pressure.
- Short stroke with high flow.
- The piston (booster) provides maximum shifting forces.
- Powerful return force thanks to the combination of mechanical and air springs.
- Bonded spool with minimum friction, shifting in a glass-like finished bore.
- Wiping effect eliminates sticking.
- Pilot valve with balanced poppet, high flow, short and consistent response times.
- Long service life.



35
100
200
55
56
57
58
59

HOW TO ORDER

Port size	Pilot air	4/2 Single operator	4/2 Double operator	4/3 Closed center	4/3 Open center	4/3 Pressure center
Valve less base		82A-AB-000-TM-Dxxx-xxx	82A-BB-000-TM-Dxxx-xxx	82A-EB-000-TM-Dxxx-xxx	82A-FB-000-TM-Dxxx-xxx	82A-GB-000-TM-Dxxx-xxx
sub-base	Internal	82A-AB-BKA-TM-Dxxx-xxx	82A-BB-BKA-TM-Dxxx-xxx	82A-EB-BKA-TM-Dxxx-xxx	82A-FB-BKA-TM-Dxxx-xxx	82A-GB-BKA-TM-Dxxx-xxx
1/4" NPTF	External	82A-AB-BKD-TM-Dxxx-xxx	82A-BB-BKD-TM-Dxxx-xxx	82A-EB-BKD-TM-Dxxx-xxx	82A-FB-BKD-TM-Dxxx-xxx	82A-GB-BKD-TM-Dxxx-xxx
sub-base	Internal	82A-AB-CKA-TM-Dxxx-xxx	82A-BB-CKA-TM-Dxxx-xxx	82A-EB-CKA-TM-Dxxx-xxx	82A-FB-CKA-TM-Dxxx-xxx	82A-GB-CKA-TM-Dxxx-xxx
3/8" NPTF	External	82A-AB-CKD-TM-Dxxx-xxx	82A-BB-CKD-TM-Dxxx-xxx	82A-EB-CKD-TM-Dxxx-xxx	82A-FB-CKD-TM-Dxxx-xxx	82A-GB-CKD-TM-Dxxx-xxx

45

SOLENOID OPERATOR ▶

D **XX X - X XX***

XX Voltage	X Wire length	X Manual operator	XX Electrical connection
AA 120/60, 110/50	A 18" (Flying leads)	1 Non-locking	KA Square connector
AB 240/60, 220/50	J Connector	2 Locking	KD Square connector with light
AC 24/60, 24/50			JB Rectangular connector
FB 24 VDC (1.8 W)			JD Rectangular connector with light
DA 24 VDC (5.4 W)			BA Flying leads
DF 24 VDC (12.7 W)			

* Other options available, see page 361.

Note : KD connector shown in photo.

700
900
82

OPTIONS

82A-AB-000-TM-Dxxx-xxx

- For pilot exhaust out main exhaust replace B by E. Also, TM pilot body is replaced by TU pilot body. Main exhaust cannot be restricted (No flow controls) available with single pressure valve only.
- For piped pilot exhaust replace TM by TP.
- For dual pressure valves, replace A by C, B by D, E by M, F by L, G by H. (Requires sandwich regulator - see pressure regulator section)

82A-XX-BKA-TM-Dxxx-xxx

- Replace K by L for bottom cyl. ports
- Replace K by M for bottom inlet port
- Replace K by N for bottom inlet and cyl. ports
- Replace K by P for bottom and end cyl. ports
- Replace K by R for bottom and end cyl. ports w/bottom inlet
- Replace K by S for selector base with side ports

6300
6500
6600
1300
800
ISO 1
ISO 2
ISO 3
MAC 125A
MAC 250A
MAC 500A

TECHNICAL DATA

Fluid :	Compressed air, vacuum, inert gases	
Pressure range :	Internal pilot : single operator and 3 positions : 25-150 PSI	double operator : 10-150 PSI
	External pilot : vacuum to 150 PSI	
Pilot pressure :	Single operator and 3 positions : 25-150 PSI Double operator : 10-150 PSI	
Lubrication :	Not required, if used select a medium aniline point lubricant (between 180°F to 210°F)	
Filtration :	40 µ	
Temperature range :	0°F to 120°F (-18°C to 50°C)	
Flow (at 6 bar, ΔP=1bar) :	1/4" (1.3 C _v), 3/8" : (1.35 C _v)	
Coil :	Epoxy encapsulated - class A wires - Continuous duty.	
Voltage range :	-15% to +10% of nominal voltage	
Protection :	Consult factory	
Power :	~ Inrush : 10.9 VA Holding : 7.7 VA = 1.8 to 12.7 W	
Response times :	24 VDC (5.4 W) Energize : 9 ms De-energize : 6 ms	120/60 Energize : 5-12 ms De-energize : 6-13 ms

Spare parts :

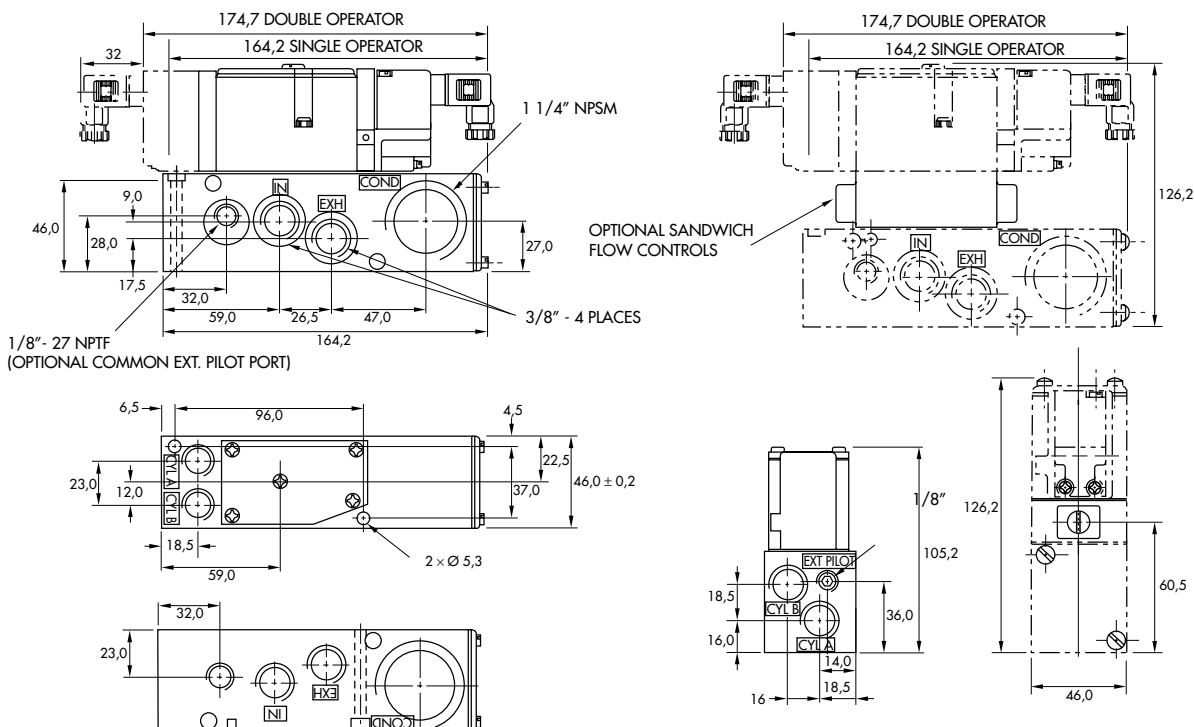
- Solenoid operator (power ≥ 5.4 W) : DXXX-XXX, including mounting screws 35013.
- Seal between solenoid and pilot body : 16402. • Pilot valve : TM-DXXX-XXX, including seal 16447.
- Mounting screw pilot to main valve : 35023. • Pressure seal between valve and base : 16446.
- Mounting screw valve to base (x2) : 35211. • Tie-rod (x2) : 19731. • Fastening kit : N-82005-01.

Options :

- BSPP threads. • Flow controls (Part N° : FC82A-BA) • Explosion-proof model.

DIMENSIONS

Dimensions shown are metric (mm)



Function	Port size	Flow [Max]	Manifold mounting	Series
4/2 - 4/3	1/4" - 3/8"	1.35 C_v	sub-base "plug-in"	

OPERATIONAL BENEFITS

1. Balanced spool, immune to variations of pressure.
2. Short stroke with high flow.
3. The piston (booster) provides maximum shifting forces.
4. Powerful return force thanks to the combination of mechanical and air springs.
5. Bonded spool with minimum friction, shifting in a glass-like finished bore.
6. Wiping effect eliminates sticking.
7. Pilot valve with balanced poppet, high flow, short and consistent response times.
8. Long service life.



35
100
200
55
56
57
58
59

HOW TO ORDER

Port size	Pilot air	4/2 Single operator	4/2 Double operator	4/3 Closed center	4/3 Open center	4/3 Pressure center
Valve less base		82A-AA-000-TM-DxxP-xDA	82A-BA-000-TM-DxxP-xDA	82A-EA-000-TM-DxxP-xDA	82A-FA-000-TM-DxxP-xDA	82A-GA-000-TM-DxxP-xDA
sub-base	Internal	82A-AA-BKA-TM-DxxP-xDA	82A-BA-BKA-TM-DxxP-xDA	82A-EA-BKA-TM-DxxP-xDA	82A-FA-BKA-TM-DxxP-xDA	82A-GA-BKA-TM-DxxP-xDA
1/4" NPTF	External	82A-AA-BKD-TM-DxxP-xDA	82A-BA-BKD-TM-DxxP-xDA	82A-EA-BKD-TM-DxxP-xDA	82A-FA-BKD-TM-DxxP-xDA	82A-GA-BKD-TM-DxxP-xDA
sub-base	Internal	82A-AA-CKA-TM-DxxP-xDA	82A-BA-CKA-TM-DxxP-xDA	82A-EA-CKA-TM-DxxP-xDA	82A-FA-CKA-TM-DxxP-xDA	82A-GA-CKA-TM-DxxP-xDA
3/8" NPTF	External	82A-AA-CKD-TM-DxxP-xDA	82A-BA-CKD-TM-DxxP-xDA	82A-EA-CKD-TM-DxxP-xDA	82A-FA-CKD-TM-DxxP-xDA	82A-GA-CKD-TM-DxxP-xDA

45

SOLENOID OPERATOR ▶

D **XX** P- **X** DA*

XX Voltage	X Manual operator
AA 120/60, 110/50	1 Non-locking
AB 240/60, 220/50	2 Locking
AC 24/60, 24/50	
FB 24 VDC (1.8 W)	
DA 24 VDC (5.4 W)	
DF 24 VDC (12.7 W)	

700

900

82

* Other options available, see page 361.

OPTIONS

82A-AA-000-TM-DxxP-xDA

- For light in body replace A by C.
- For pilot exhaust out main exhaust replace A by D. For light replace A by F. Use TU pilot body for pilot exhaust to main exhaust, main exhaust cannot be restricted (No flow controls) available with single pressure valve only. TU replaces TM.
- For piped pilot exhaust replace TM by TP.
- For dual pressure valves, replace A by C, B by D, E by M, F by L, G by H. (Requires sandwich regulator - see pressure regulator section)

82A-XX-BKA-TM-DxxP-xDA

- Replace K by L for bottom cyl. ports
- Replace K by M for bottom inlet port
- Replace K by N for bottom inlet and cyl. ports
- Replace K by P for bottom and end cyl. ports
- Replace K by R for bottom and end cyl. ports w/bottom inlet
- Replace K by S for selector base with side ports

6300

6500

6600

1300

800

ISO 1

ISO 2

ISO 3

MAC 125A

MAC 250A

MAC 500A

TECHNICAL DATA

Fluid :	Compressed air, vacuum, inert gases	
Pressure range :	Internal pilot : single operator and 3 positions : 25-150 PSI	double operator : 10-150 PSI
	External pilot : vacuum to 150 PSI	
Pilot pressure :	Single operator and 3 positions : 25-150 PSI Double operator : 10-150 PSI	
Lubrication :	Not required, if used select a medium aniline point lubricant (between 180°F to 210°F)	
Filtration :	40 μ	
Temperature range :	0°F to 120°F (-18°C to 50°C)	
Flow (at 6 bar, ΔP=1bar) :	1/4" (1.3 C _v), 3/8" : (1.35 C _v)	
Coil :	Epoxy encapsulated - class A wires - Continuous duty.	
Voltage range :	-15% to +10% of nominal voltage	
Protection :	Consult factory	
Power :	~ Inrush : 10.9 VA Holding : 7.7 VA = 1.8 to 12.7 W	
Response times :	24 VDC (5.4 W)	Energize : 9 ms De-energize : 6 ms
	120/60	Energize : 5-12 ms De-energize : 6-13 ms

Spare parts :

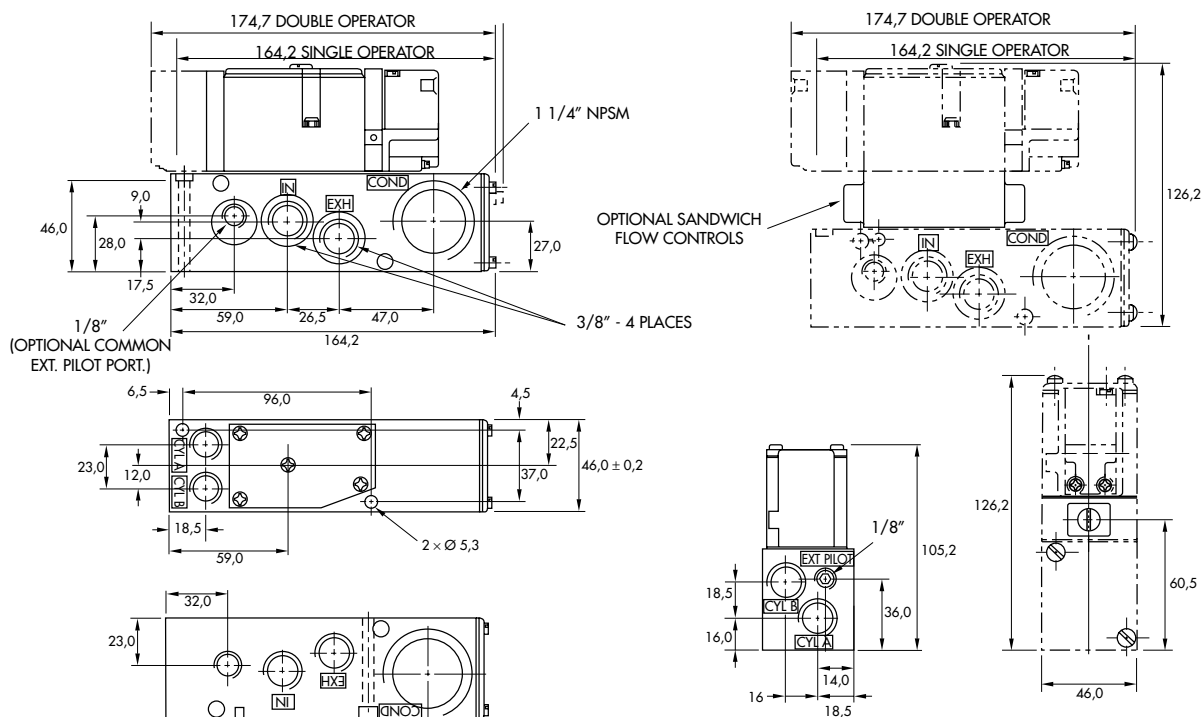
- Solenoid operator (power ≥ 5.4 W) : DXXP-XDA, including mounting screws 35013.
- Seal between solenoid and pilot body : 16402. • Pilot valve : TM-DXXP-XDA, including seal 16447.
- Mounting screw pilot to main valve : 35023. • Pressure seal between valve and base : 16446.
- Mounting screw valve to base (x2) : 35211. • Tie-rod (x2) : 19731. • Fastening kit : N-82005-01.

Options :

- BSPP threads. • Flow controls (Part N° FC82A-AA) • Explosion-proof model. • Lights in base.

DIMENSIONS

Dimensions shown are metric (mm)



HOW TO ORDER

82A - XX - XXX - (XX - DXXX - XXX)

SPOOL TYPE - VALVE FUNCTION

- O** Individual base or manifold only
- A** Single Operator - single pressure
- B** Double operator - single pressure
- C** Single operator - dual pressure
- D** Double operator - dual pressure
- E** 3-position closed center
- F** 3-position open center
- G** 3-position single pressure, pressure center
- H** 3-position dual pressure, * pressure center
- J** Single solenoid single pressure solenoid on B end
- K** Single solenoid dual pressure solenoid on B end
- L** 3-position dual pressure, * open center
- M** 3-position dual pressure, * closed center

* Note: For dual pressure w/o regulators consult factory.

BODY TYPE

- A** Plug-in body
- B** Non Plug-in body

PORT SIZE - THREAD TYPE

- O** Valve only - no base
- A** 1/8" NPTF
- B** 1/4" NPTF
- C** 3/8" NPTF
- D** 1/8" BSPPL
- E** 1/4" BSPPL
- F** 3/8" BSPPL

IND. & MANIFOLD BASE PORT CONFIG.

--Individual Base--

- O** Valve only - no base
- A** Standard side ports (1/8", 1/4", or 3/8")
- B** Bottom ports only*
- C** Side and bottom ports*
- D** Side inlet, side exhaust, bottom cylinder ports*

* Bottom ports available in 1/8" & 1/4" only in individual base

--Manifold Base--

- K** Standard ports (1/4" or 3/8" only)
- L** Bottom cylinder ports*
- M** Bottom inlet port
- N** Bottom inlet and cylinder ports*
- P** Bottom and end cylinder ports*
- R** Bottom cylinder & end cylinder ports w/bottom inlet port*
- S** Selector base - standard side ports

* Bottom parts available in 1/4" & 3/8" only on manifold. Bottom inlet available 1/4" only. For bottom O-ring ports, consult factory.

INT. OR EXT. PILOT*

--Internal Pilot--

- O** Valve only - no base
- A** No light in base

--External Pilot--

- O** Valve only - no base
- D** No light in base

* Use internal for main valve pressures of 25-150 PSIG. Use external for main valve pressures of 28" Hg vacuum - 25 PSIG

PILOT VALVE OPTIONS - (XX - DXXX - XXX)

PILOT EXHAUST

- FA** Muffled exhaust

VOLTAGE

- FR** 12VDC (0,6w)
- FS** 24VDC (0,6w)

LEAD WIRE LENGTH

--Plug-in Valve/Base--

- P** Plug-in 8" - standard
- 1** 18" **4** 48"
- 2** 24" **5** 72"
- 3** 36" **6** 96"

--Non Plug-in Valve/Base--

- A** 18" **E** 72"
- B** 24" **F** 96"
- C** 36" **J** 6"
- D** 48"

* Lead wire length for external plug-in connectors must be "J"

ELECTRICAL CONN.

--Plug-in Valve/Base--

- DA** Plug-in (standard)

--Non Plug-in Valve/Base--

- BA** Grommet
- CA** Conduit 1/2" NPS
- CM** Metal conduit 1/2" NPS
- CN** Metal conduit w/grd. 1/2" NPS

--External Plug-in--

- JB** Rectangular plug-in
- JM** Rectangular male only
- KA** Mini plug-in
- KJ** Mini plug-in male only
- TA** Dual tabs (.110) w/ receptables
- TJ** Dual tabs (.110) w/o receptables

MANUAL OPERATOR

- 0** No manual operator
- 1** Nonlocking operator
- 2** Locking operator
- 3** Nonlocking extended operator
- 4** Locking extended operator

HOW TO ORDER 82 SERIES FLOW CONTROL MODULE*

FC 82A-AA	Plug-in flow control assembly
FC 82A-BA	Non plug-in flow control assembly

*If flow control module is to be installed between valve and base or valve and manifold at the factory, add -9 after the flow control model number, i.e., FC82A-AA-9. The flow control model number should follow the valve model number on which it is to be installed.

NOTE: Reference regulator ordering section if a sandwich regulator is required.
NOTE: If a flow control assembly is used with the dual pressure regulator option, only the flow control on the "A" end is functional. (Controls both cylinder ports.)

Codification table for voltages / Wire length / Manual operators / Electrical connections

VALVE CODE > **-D XX X - X XX**
1 2 3 4

OPTIONS AVAILABLE FOR

- Solenoid valves 35, 45 and 82 Series

1. VOLTAGE

- D XX	X - X XX	VOLTAGE
AA		120/60, 110/50
AB		240/60, 220/50
AC		24/60, 24/50
AD		24/60
AE		200/60
AF		240/50
AG		100/50, 100/60, 110/60
DA		24 VDC (5.4 W)
DB		12 VDC (5.4 W)
DC		12 VDC (7.5 W)
DD		24 VDC (7.3 W)
DE		12 VDC (12.7 W) - CLSFonly
DF		24 VDC (12.7 W) - CLSF only
DK		110 VDC (4.7 W)
DL		64 VDC (6 W)
DM		36 VDC (5.3 W)
DN		6 VDC (6 W)
DP		48 VDC (5.8 W)
DU		24 VDC (6 W)
EA		12 VDC (6 W)
FA		12 VDC (1.8 W)
FB		24 VDC (1.8 W)
FE		12 VDC (2.4 W)
FF		24 VDC (2.4 W)

2. WIRE LENGTH

- D XX	X - X XX	WIRE LENGTH
A		18"
B		24"
C		36"
D		48"
E		72"
F		96"
J		For external plug-in connector ("J", "K" & "T" type electrical connection)
P		For plug-in valves (82 Series only)

3. MANUAL OPERATOR

- D XX X - X XX MANUAL OPERATOR

0	No operator
1	Non-locking recessed
2	Locking recessed
3	Non-locking extended
4	Locking extended

4. ELECTRICAL CONNECTION

- D XX X - X XX ELECTRICAL CONNECTION

BA	Flying leads
BK	BA with protection diode
BL	BA with protection varistor (M.O.V.)
** CA	1/2" NPS conduit
** CM	1/2" NPS metal conduit
** CN	1/2" NPS metal conduit w/ground
** JB	Rectangular connector
** JD	Rectangular connector with light
** JM	Rectangular connector, male only
KA	Square connector
KB	Square connector with protection diode
KC	Square connector with protection varistor (M.O.V.)
KD	Square connector with light
KE	Square connector with light and protection diode
KF	Square connector with light and protection varistor (M.O.V.)
KG	Square connector with LED light & diode
KJ	Square connector (male only)
KK	Square connector with protection diode (male only)
KL	Square connector with protection varistor (male only) (M.O.V.)
*** MA	Electrical common conduit
TA	Dual tabs
TB	TA with protection diode
TD	TA with light
TE	TA with light and protection diode
TJ	Dual tabs (male only)
TK	TJ with protection diode
TM	TJ with light
TN	TJ with light and protection diode
DA*	Plug-in connector
DK*	DA with protection diode
DL*	DA with protection varistor (M.O.V.)
FM	Plug-in
FN	Plug-in with diode
FP	Plug-in with M.O.V.

* To be used with 82 Series only
 ** Inline valves only for 35 & 45 series. No restrictions for 82 series.
 *** Stacking valves only for 35 & 45 series. Conduit end plate kit required, one per stack.

35 series : M-35002-01
 45 series : M-45005-01