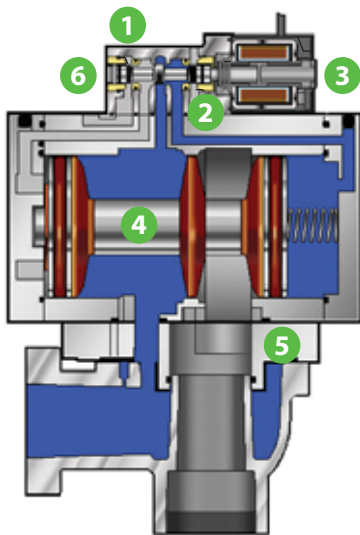


# Dust Collection Solutions

## MAC® Pulse Valve Technology

*Enhance Your Pulse™*

## 7 KEY ADVANTAGES



- 1 **4-Way Pilot** (Maximized Shifting Forces)
- 2 **D-Seal Technology Isolates Solenoid** (Longer Life)
- 3 **Lifting Solenoid** (Consistent Response)
- 4 **Dynamic Bonded Rubber Spool** (Balanced, Wiping Action.)
- 5 **Adapter Plate** (Drop-in Replacement to Existing Base)
- 6 **Manual Override**

### Energy Savings

Powerful pulse action extends time needed between pulses, lowering energy costs.

### Access

Access to valves in the dust collection system is difficult. The MAC spool valve's long life reduces lost labor and safety concerns attributed with repairs.

### Downtime

When dust collection systems fail, plant operations come to a halt. MAC spool valves reduce downtime.

### Product

Weak pulses cause excess waste to build up in the system and can cause a reduction in waste removal resulting in product contamination or a reduction in product yield.

### Maintenance Costs

Diaphragm valves cause daily maintenance issues and increased labor costs. Spool valves allow for better use of labor throughout the plant.

### Filter Bag Life

More efficient and effective pulses lead to cleaner filters/bags increasing overall filter life by reducing pulse frequency, lowering costs.

### Ease of Use

Only the MAC solenoid pilot offers a manual override to test the pulse valve